

**Stocklist and Standard
Aluminium Sections Catalogue**

General Information and Services 1
 Introduction to Aluminium..... 2
 Equal Angles 3
 Zeds 3
 Unequal Angles 4
 Flat Bars 5
 Channels (see also page 12-15) 6
 Round Tubes 7
 Square Hollows 8
 Rectangular Hollows 9
 Rods 10
 Square Bars 10
 Tees 11
 Shower Channels 11
 Coolroom Angles 12
 Coolroom Channels 12 - 15
 Coolroom Door Jambs 16
 Coolroom Door Tracks 17
 Coolroom "H" Jointers 18
 Coolroom "Chair" Jointers 19
 Coolroom Corner Sections 20
 Coolroom Corner Coves 21
 Coolroom DRI Sections 22 - 23
 Tophats 24
 Louvres 25
 Fence & Gate..... 26
 Commerical Doors 27 - 30
 Thresholds 30
 Shopfront Centre Glazed - 75mm 31 - 32
 Shopfront Centre Glazed - 100mm 33
 Shopfront Offset Glazed - 100mm 34 - 36
 Internal Glazing Sections 37
 Window Support Bars 38
 Sill Flashings 39
 Head Flashings 39
 Sign Extrusions 40
 Security Door Sections 41
 Security Window Sections 42
 Miscellaneous & Mouldings 42
 Insect Screen Sections 43
 Security Grilles 44
 Flyscreen Meshes 44
 Hardwares 45
 Wardrobe Suites 46 - 47
 Coolroom Glazing Sections 48
 Retrofit Double Glazing Sections 48 - 49
 Gusset and Cleat..... 50
 Glazing Bars 51
 Cavity Wall Vent Strips 52
 18mm Board Jointers 52



General Information and Services

R&B Aluminium Ltd Contact Details

Auckland:

731 Great South Road, Penrose, Auckland, 1061 New Zealand
Box 13 130, Onehunga 1643

Phone: 0064 9 525 3404

Email: sales@randbali.co.nz

Website: www.randbali.co.nz

Auckland North Shore:

Unit 2/8 Target Court, Glenfield, Auckland, 0627 New Zealand

Phone: 0064 9 526 3745

Email: northshore@randbali.co.nz

Wellington:

15 Wakefield Street, Alicetown, Lower Hutt, Wellington 5010

Box 39259, Wellington Mail Centre 5045

Phone: 0064 4 569 5050

Email: wellington@randbali.co.nz

Christchurch:

19 Dakota Crescent, Wigram, Christchurch 8042

Phone 0064 3 343 9922

Email: christchurch@randbali.co.nz



R&B Aluminium Ltd Services

Supply of ex stock and ex mill quantities of standard shape aluminium extrusions as per this catalogue in mill finish (Powdercoating or anodising can be provided subject to minimum charges). Some stock is carried surface finished, subject to enquiry.

Supply of mill quantities of extrusions to your own design, in mill finish or surface coated condition - some fabrication services are available if required (precision cutting, drilling, tapping, assembly, packaging etc.).

Supply of oversized extrusions that are outside the production capability of New Zealand extruders.

Important - Please Note

Items offered from stock are shown in these pages - **Specifiers** should **check ongoing availability with R&B Aluminium Ltd.** Most stock is carried in 5 metre lengths, in alloy 6060. Temper T5. Our range is constantly being added to - sometimes slow moving items are dropped. We are happy to consider adding stocklines based on your need if volumes can support this. Some stock may be held in different branches.

Mill Quantities

If you divide 150kg by the mass shown for a section number you will obtain the approximate number of metres required for a minimum mill run. For example for section 9433, a rectangular hollow 50 x 25mm with a 3mm wall thickness:

$$\text{Minimum mill run} = \frac{50(\text{kg})}{1.118(\text{kg/m})} = 134.17 \text{ metres}$$

Mill runs require a leadtime of 4 to 5 weeks for mill finish from existing dies and are subject to a shipping tolerance of +/- 10% approximately.

If you cannot find a shape you want, ask us! New shapes are continually added to the range or we may know of a suitable alternative.

Introduction to Aluminium

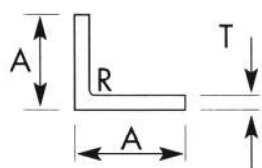
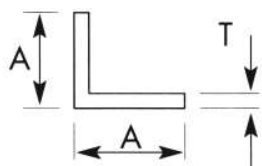
Aluminium is the third most abundant element in the earth's crust, always found locked in combination with other elements. It was not isolated in metallic form until early in the nineteenth century, with commercial production being made possible by the independent discovery in 1886 by Charles Hall (USA) and Paul Heroult (France) of an economical way to separate the metal from alumina (aluminium oxide).

Since then, Aluminium has increasingly entered our lives and we now extensively utilise the advantage offered by its diverse, yet complementary properties.

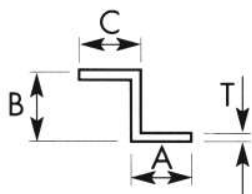
These are:

- | | |
|-------------------------------------|---|
| Lightness | One third the weight of steel. |
| Corrosion Resistant | Naturally protected by a thin self-protective film that is colourless, nontoxic and doesn't flake off. Properly applied paint finishes adhere extremely well and if penetrated there is no rust produced to cause blistering or flaking of the paint. |
| High Heat conductivity | Weight for Weight, aluminium's conductivity is:
1.8 times that of Copper
12 times that of Rolled Steel
40 times that of Stainless Steel |
| High electrical Conductivity | Weight for weight, twice that of Copper. |
| Appearance | Without special protection, aluminium is a 'clean' material.
Anodising, painting and texturing confer decorative appearances that retain aluminium's natural durability. |
| Other Properties | Non sparking
Non magnetic
High reflectivity
Easily worked and shaped
High scrap value - recyclable |

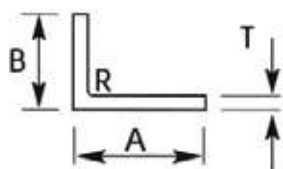
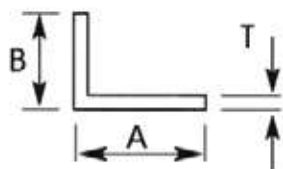




Section No.	A	Thickness mm	R	Periphery mm	Mass kg/m
6421	12	1.6		48	0.100
5968	12	3		48	0.170
G466	16	1.6		64	0.132
5512	20	1.6		80	0.167
5972	20	3		80	0.300
5510	25	1.6		100	0.210
5973	25	3		100	0.381
F9125	30	3		120	0.463
F9127	30	6		120	0.875
K014	32	1.5		128	0.254
5975	40	1.6		160	0.339
5976	40	3		160	0.624
9530	40	6		160	1.199
6484	50	1.6		200	0.425
5977	50	3		200	0.786
F9632	50	4.5		199	1.160
8518	50	6		200	1.523
9743	60	3		237	0.948
9780	60	6		240	1.847
30543	75	6		299	2.341
5009	76.2	3		305	1.210
5424	76.2	9		305	3.485
F9147	100	6		400	3.154
1908	101.6	9.53	9.14	403	5.028
XH0742	101.6	9.53		403	5.028

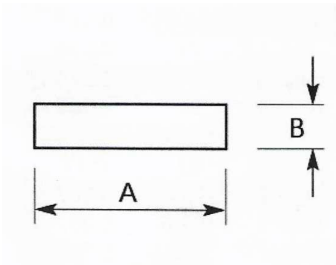


Section No.	A	B	C	T	Periphery mm	Mass kg/m
N974	18.5	17	18.5	1.4	104	0.193
Z980	20	25	20	1.6	127	0.252
0580	25.4	44.5	25.4	3.2	182	0.776
F9231	25	30	25	3	127	0.602

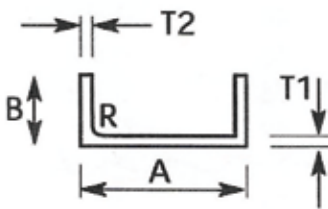
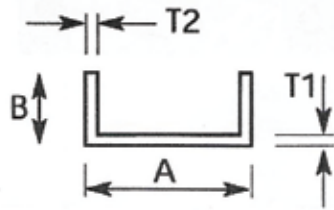


Section No.	A	B	Thickness mm	Periphery mm	Mass kg/m
5514	20	12	1.6	64	0.132
5970	20	12	3	64	0.235
9325	25	12	1.5	74	0.144
5511	25	20	1.6	90	0.188
J074	25	20	3	90	0.341
5931	30	25	2	108	0.286
0460	32	19	3	102	0.388
9328	32	20	1.5	104	0.205
5974	32	25	3	114	0.437
7084	40	12	1.5	104	0.205
9745	40	12	3	104	0.397
9329	40	20	1.5	120	0.237
6076	40	20	3	120	0.462
5509	40	25	1.6	130	0.275
8517	40	25	3	130	0.502
J456	50	20	1.6	140	0.278
31043	50	20	3	140	0.544
9332	50	25	1.5	150	0.298
5323	50	25	3	150	0.583
31232	50	30	1.6	160	0.340
F4357	50	38	5	176	1.125
9753	60	25	3	170	0.664
6428	70	25	1.6	190	0.403
Z965	70	40	1.6	220	0.470
30193	75	25	3	200	0.789
37736	75	50	1.6	178	1.086
6788	75	50	3	250	0.988
F9137	75	50	6	250	1.935
8266	100	25	3	250	0.988
30641	100	50	3	300	1.195
E927	100	50	6	300	2.341
+ 33226	120	70	1.6	380	0.817
9782	125	50	3	350	1.390
F9576	150	75	8	449	4.887
L150100	150	100	8	500	5.247
8713	150	120	10	520	7.077

+ 87° not 90°, Vee Groove Drilling GuidStock in mill, anodised & powdercoated finishes. Subject to check



Section No.	A	B	Corner Radius	Periphery mm	Mass kg/m
DY007	10	3		26	0.081
J791	12	3		30	0.097
9741	12	6		36	0.194
5991	16	3		38	0.130
C001	19.05	2.64	1.32	49	0.130
0632	19.05	3.96	1.98	46	0.195
5992	20	3		46	0.162
4954	20	6		52	0.325
9336	25	1.6		53	0.108
5993	25	3		56	0.205
5996	25	6		62	0.405
32561	25	10		70	0.678
5999	25	12		74	0.810
0340	25.4	4.75		60	0.326
9337	32	3		70	0.259
4996 WEL	38	6		88	0.616
6077	40	3		86	0.324
6706	40	6		92	0.684
7426	40	10		100	1.080
J425	40	16		112	1.734
K024	47.65	1.42		98	0.184
5994	50	3		106	0.405
5997	50	6		112	0.810
F9447	50	8		116	1.084
7425	50	10		120	1.350
4978	50	25	1.60	147	12.378
B504	50.8	4.5		110	0.619
J403	60	3		126	0.488
8776	60	6		132	0.972
9777	60	12		144	1.944
F9061	75	3		158	0.620
F9064	75	10		170	2.048
5662	76.2	6		164	1.234
7040	80	6		172	1.296
J712	100	1.6		203	0.433
5995	100	3		206	0.810
Z120	100	5		210	1.360
5998	100	6		212	1.626
8333	100	10		220	2.700
E301	125	6		262	2.033
K145	150	3		306	1.220
F9391	150	5		310	2.033
9608	160	10		340	4.320
E320	200	10		420	5.420



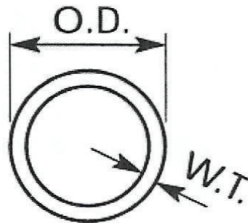
Section No.	A	B	T1	T2	R	Periphery mm	Mass kg/m
J168	10	10	1.6	1.6		57	0.116
5978	12	12	1.6	1.6		69	0.142
X075	14.5	17.95	1.2	1.2		97	0.162
YLJ02571	15	18	1.6	1.6	Note	99	0.209
5979	16	16	1.6	1.6		93	0.194
31017	17	17	1.5	1.5		63	0.170
XYC18X17	17.6	18.4	1.8	1.8	Note	105	0.248
YLJ02511	18	25	2	2	Note	132	0.349
5980	20	20	3	3		114	0.437
3470	22.23	12.7	1.57	1.57		92	0.190
30504	22.4	19	2	2		70	0.678
9335	25	25	1.6	1.6		147	0.310
4575	25	25	3	3		144	0.559
6476	25	40	3	3		204	0.801
4087	25	50	3	3		248	1.036
J088	32	25	3	3		158	0.618
G210	36	36	2.5	2.5		211	0.698
F9531	38	38	3	3		220	0.876
F9354	40	12	3	3		122	0.472
9677	40	20	1.6	1.6		157	0.332
5982	40	20	3	3		154	0.599
6452	40	25	3	3		174	0.680
2114	44.5	25	3	3		183	0.717
5983	50	25	3	3		194	0.761
5984	50	50	3	3		294	1.166
U50-25	50.8	25.4	2.5	2.5		198	0.654
+ RB-069	53.2	25	1.2	1.2		205	0.328
+ RB-472	53.2	30	3	1.6		220	0.670
+ RB-043	55.6	30	1.5	2.3		227	0.504
G743	60	12	3	3		162	0.634
6945	60	32	4	4	4	238	1.257
+ RB-708	66	25	3	2		225	0.634
30487	75	25	3	3		244	0.967
# 0288	76.2	38.1	4.75	4.75		289	1.900
RB-207	78	25	1.6	1.6		178	0.541
K747	78	38	1.5	1.5		305	0.610
J458	80	40	3	3		314	1.252
+ RB-301	89	25	1.5	1.5		281	0.569
+ Z381	92	25	2.5	1.5		279	0.769
8716	100	25	3	3		294	1.166
J089	100	50	3	3		394	1.577
6982	100	50	6	6		387	3.046
+ K748	103	38	1.5	1.5		355	0.712
+ RB-206	103.2	25	1.6	1.6		301	0.654
Z383	117	25	2.5	1.5		328	0.953
+ YLJ025299	150	55	7	7		501	4.708
F9783	150	75	3.5	3.5		592	2.768
4760	150	75	5	5		590	3.915
+ E210	160.2	38.5	2	2.3		463	1.245
+ Z382	168	25	2.5	1.5		428	1.326
YLJ025231	180	60	6.35	8		582	5.506
37577	220	75	4.5	4.5		729	4.403

Note : Stocked in various short lengths and finishes, please refer to Shower Channel Page for more details.

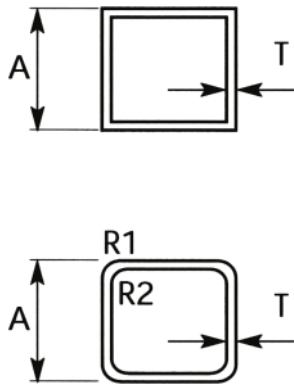
* Stock in mill, anodised & powder-coated finishes. Subject to check availability at time of order.

+ Stock in Cool Room Section may have drill guide V - grooves. Refer to drawings in coolroom tab.

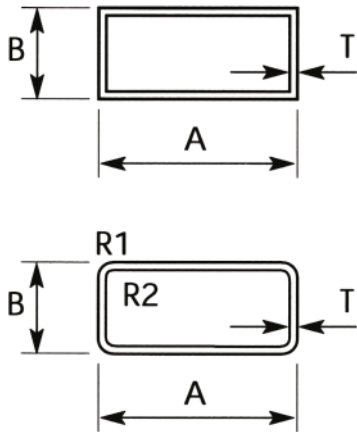
Stock in Wellington Branch only, it normally takes 3-5 working days to transfer..



Section No.	O.D.	W.T.	Periphery mm	Mass kg/m
- RB-015	9.52	0.91	39	0.067
## TU8090	9.53	1.42	60	0.098
TU8110	12.7	1.42	39.9	0.136
TU8120	15.88	1.42	50	0.174
TU8260	15.88	1.63	50	0.197
TU8530	15.88	2.64	50	0.297
TU8030	19.05	1.22	60	0.185
TU8140	19.05	1.42	60	0.204
TU8240	20	1.6	63	0.251
TU8440	25	2	79	0.390
TU8575	25	3	79	0.562
RB-013	25.4	1.01	80	0.191
TU8160	25.4	1.42	80	0.290
# TU8050 WEL	28.58	1.22	90	0.284
TU8170	28.58	1.42	63	0.327
TU8180	31.75	1.42	99	0.366
# TU8432	32	1.85	101	0.473
TU8601	32	3	120	0.741
TU8185	34.93	1.42	110	0.495
TU8190	38.1	1.42	120	0.443
TU8610	38.1	3	120	0.896
TU8615	40	3	126	0.942
TU8620	44.45	3	139	1.059
TU8780	48.41	4.47	152	1.666
~ Subject to stock availability at time of order. RN048070	48.6	3.35	154	1.297
TU8443	50	2	157	0.817
TU8630	50	3	157	1.196
# Stock in our Wellington branch only (3-4 working days delivery). TU8815	50	6	157	2.248
TU8650	57	3	179	1.374
TU8446	60	2	189	0.988
YLJ02550	62.5	3	300	1.531
JH0773	63.5	6	200	2.959
## Stock in our Christchurch branch only (5-6 working days delivery). Y63A	63.5	9	200	4.207
JH0682	63.5	10.3	200	4.700
TU8730	76.2	3.25	239.40	2.011
- Destock items, not to be replaced on stock when sold. TU8520	76.2	2.03	239	1.277
TU8787	76.2	4.75	240	2.889
TU8740	88.9	3.25	279	2.361
TU8449	100	2	314	1.668
TU8655	100	3	314	2.478
~ F2209	127	3.25	399	3.424

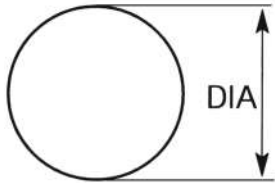


Section No	A	T	R1	R2	Periphery mm	Mass kg/m
30211	16	1.2	1.6		61	0.187
5728	19	1.6	2.4	0.8	76	0.301
8950	20	1.5			80	0.300
8777	20	3	3		75	0.530
9675	25	1.4	2.4	1	96	0.344
* 6614	25	1.6			100	0.404
N285	25	1.8	3		95	0.432
9784	25	3			114	0.713
7841	30	2	2.5	1.5	116	0.596
* 6947	30	3			120	0.875
K362	32	2			128	0.650
K911	40	1.6			160	0.666
G097	40	2			160	0.824
30196	40	2	2.4		160	0.810
X592	40	3			160	1.203
N737	40	3	3	1	160	1.185
9192	40	4			160	1.556
32003	40	5	2.5		156	1.884
1468	44.45	2.03			178	0.930
* J309	50	1.6			200	0.840
* 5917	50	3			200	1.523
32565	50	3	3		195	1.510
32734	50	5	4	2	193	2.411
X548	50.8	2.03	3		203	1.050
Z912	60	1.4	1	0.3	240	0.887
K308	65	2.5			260	1.694
K323	75	3			300	2.341
33721	80	3			320	2.504
Z320	100	3			400	3.154
36058	100	5	3		395	5.129
~ 40315	150	3			600	4.780



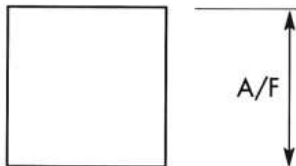
Section No.	A	B	T	R1	R2	Periphery mm	Mass kg/m
F9348	20	10	2			60	0.284
K496	37.4	14.4	1.2	3	2	98	0.308
9406	38	25	1.5	3	1.5	121	0.470
X510	38	25	2	3	1.5	121	0.622
30486	40	20	1.6			120	0.493
30485	40	20	3			120	0.878
K582	40	25	2			130	0.661
E905	50	25	1.6			150	0.623
RB-801	50	25	1.6	3		145	0.611
9433	50	25	3			150	1.118
X544	50	25	3	3		145	1.101
RB-142	50	38	2	3		171	0.900
30497	50	40	2			180	0.932
G705	50	40	3			180	1.366
J090	60	40	3			200	1.528
Z357	65	16	1.2	1.5	1	159	0.508
F9503	65	30	2.5			190	1.220
7652	70	40	3			220	1.691
RB-229	75	25	2.2	1.5		197	1.148
30837	75	40	2			229	1.203
K910	80	40	3			240	1.854
6490	80	50	3			260	2.008
30240	80	50	3	5		255	1.995
6669	100	25	2.5			250	1.620
7955	100	45	3			290	2.252
J845	100	50	2			300	1.583
9985	100	50	3			300	2.341
30752	100	50	3	4	1	293	2.307
K102	100	50	6	8		300	4.471
G589	125	40	3			330	2.585
J863	150	50	3			400	3.154
30388	150	75	5	5		414	5.783
Z335	200	50	3			500	3.960
~ 1657	250	50	2			600	3.196
I01039	250	50	3			600	4.780
4480	300	50	3			700	6.507

~ Subject to stock availability at time of order.



Note: Generally stocked in
3.66 metres length
6061 - T6

Section No	IA A/F mm	Periphery mm	Mass kg/m
RD0063	6.35	20	0.086
RD007010	7.75	25	0.131
RD0095	9.53	30	0.193
RD0111	11.10	35	0.267
RD0127	12.70	40	0.344
RD0159	15.88	50	0.537
RD020010	20.00	63	0.851
RD0254	25.40	80	1.375
RD0317	31.75	100	2.146
RD0349	34.93	110	2.602
RD0381	38.10	120	3.096
RD0445	44.50	140	4.205
RD0508	50.80	160	5.493
70255	63.50	200	8.582
RD0762	76.20	240	12.359
RD088010	88.90	280	16.821
RD1016	101.60	320	21.971
RD1270	127.00	400	34.330



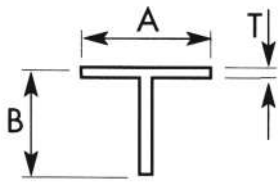
Note: Generally stocked in
3.66 metres length,
6061 - T6

SQ0095	9.53	38	0.243
SQ0127	12.70	51	0.435
SQ0159	15.88	63	0.690
SQ0190	19.05	76	0.980
SQ025020	25.00	100	1.694
SQ0318	31.75	127	2.721
SQ0445	44.50	178	5.335
SQ1016	101.60	406	27.936



Stocked Sections

(TEE) Tee Sections

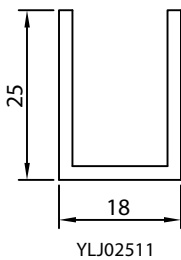
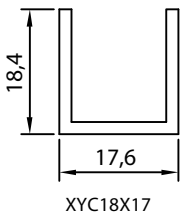
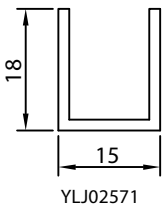


Section No	A	B	T	R	Periphery mm	Mass kg/m
5985	20	20	1.6		80	0.166
5987	25	25	1.6		100	0.211
4870	25	25	3		100	0.382
F4709	38.1	38.1	1.6		152	0.323
K657	40	20	1.6		160	0.258
5988	40	40	3		160	0.624
0637	44.45	25.4	2.54		160	0.258
2207	50.8	50.8	3.2		203	0.845
1123	50.8	50.8	6.35		198	1.676
1184	50.8	50.8	4.75	6.1	193	1.285
32266	75	106	6		361	2.847
32267	100	150	8		499	5.247



Stocked Sections

Shower Channel



Polished Bright (Chrome)

Section No	Base	Height	Wall Thickness	Length
YLJ02571	15	18	1.6	2.1m, 2.5m, 3.0m
XYC18X17	17.6	18.4	1.8	2.1m, 2.5m, 3.0m
YLJ02511	18	25	2.0	2.1m, 2.5m, 3.0m

Satin Anodised (Matt)

Section No	Base	Height	Wall Thickness	Length
YLJ02571	15	18	1.6	2.1m
XYC18X17	17.6	18.4	1.8	3.0m
YLJ02511	18	25	2.0	3.0m

Black Anodised

Section No	Base	Height	Wall Thickness	Length
YLJ02571	15.0	18.0	1.6	3.0m
XYC18X17	17.6	18.4	1.8	2.1m, 3.0m
YLJ02511	18	25	2.0	2.1m, 2.5m, 3.0m

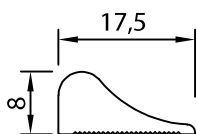
Black Powdercoated

Section No	Base	Height	Wall Thickness	Length
YLJ02511	18	25	2.0	3.0m

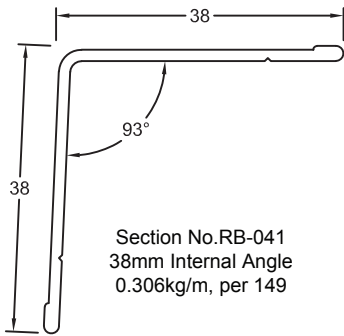
Bright Brushed

Section No	Base	Height	Wall Thickness	Length
XYC18X17	17.6	18.4	1.8	3.0m
YLJ02511	18	25	2.0	3.0m

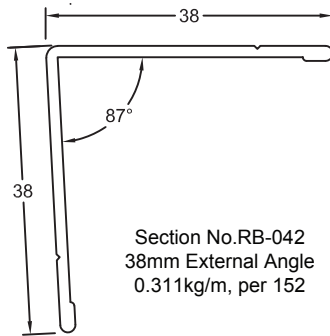
PJ1 Cap for Shower channel 18x25x2mm
 PJ2 Cap for Shower channel 17.6x18.4x1.8mm



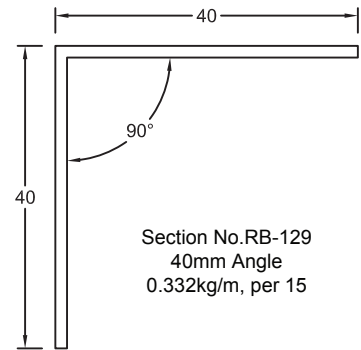
Section No. XGJ-136
 Water Bar Mould
 0.199kg/m, per 50



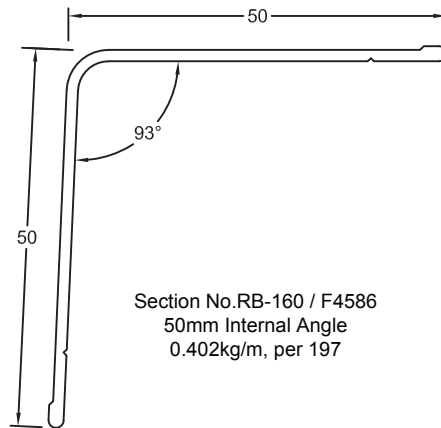
Section No. RB-041
38mm Internal Angle
0.306kg/m, per 149



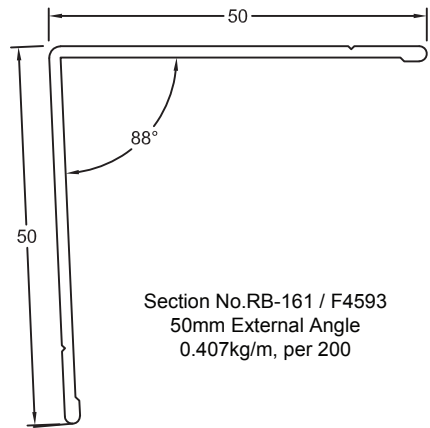
Section No. RB-042
38mm External Angle
0.311kg/m, per 152



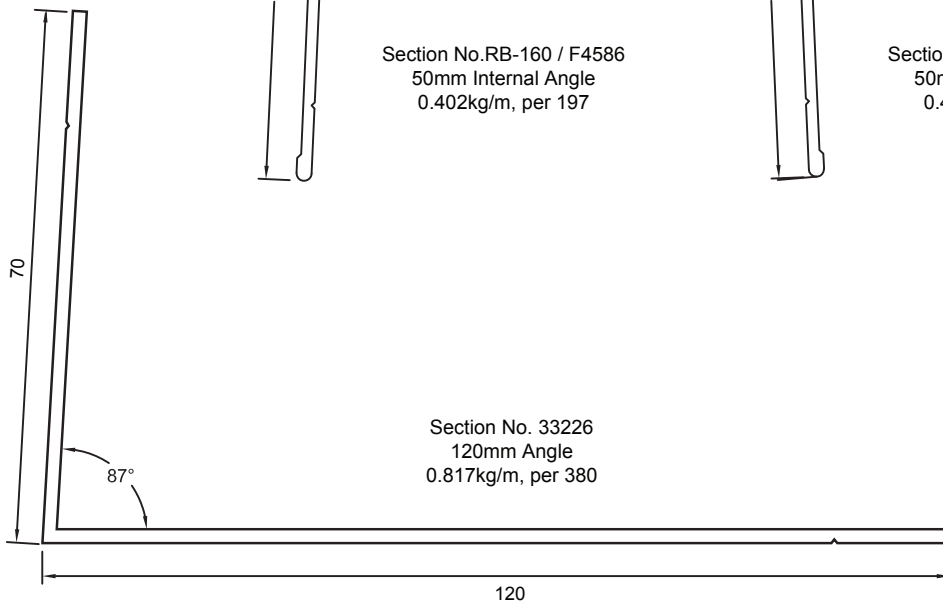
Section No. RB-129
40mm Angle
0.332kg/m, per 15



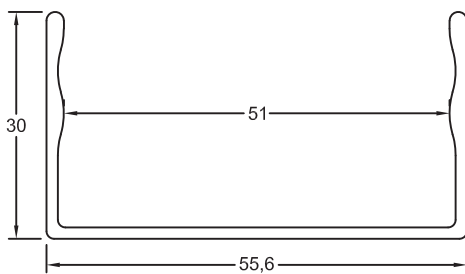
Section No. RB-160 / F4586
50mm Internal Angle
0.402kg/m, per 197



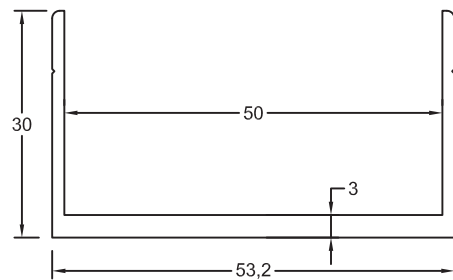
Section No. RB-161 / F4593
50mm External Angle
0.407kg/m, per 200



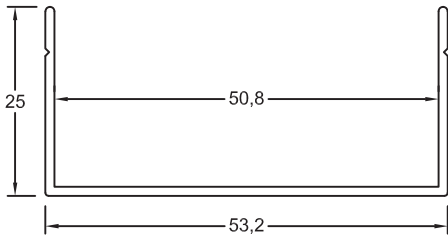
Section No. 33226
120mm Angle
0.817kg/m, per 380



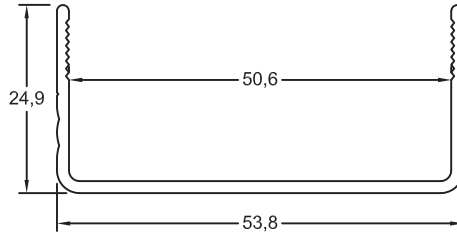
Section No. RB-043
51mm Channel
0.504kg/m, per 227



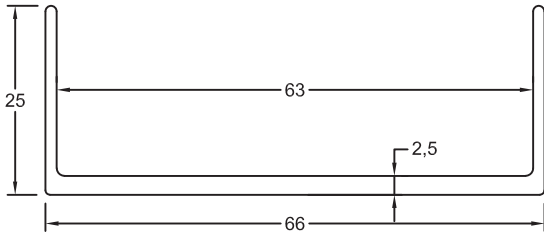
Section No. RB-472
50mm Heavy Channel
0.670kg/m, per 220



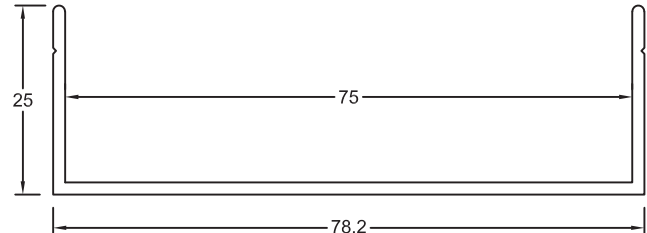
Section No. RB-069
50mm Capping
0.328kg/m, per 203



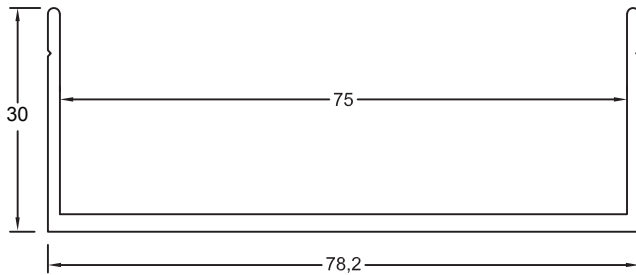
Section No. 33901 / RB-317
Fluted 50mm Capping
0.416kg/m, per 204



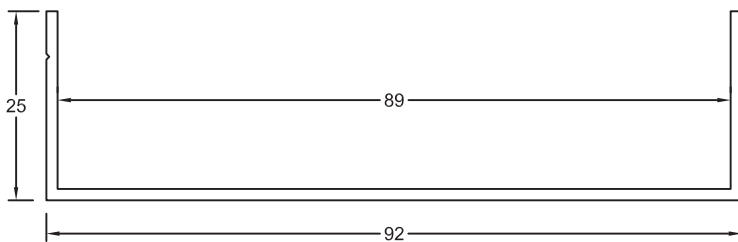
Section No. RB-708
63mm Channel
0.634kg/m, per 224



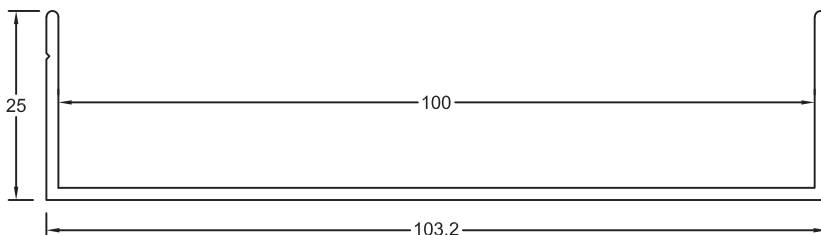
Section No. RB-207
75mm Channel
0.544kg/m, per 252



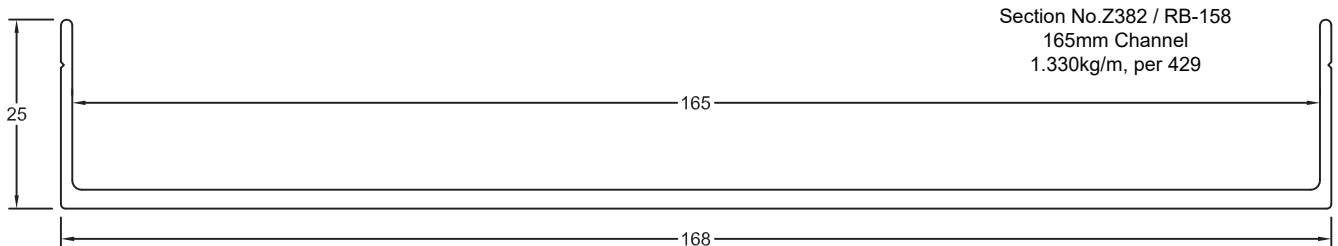
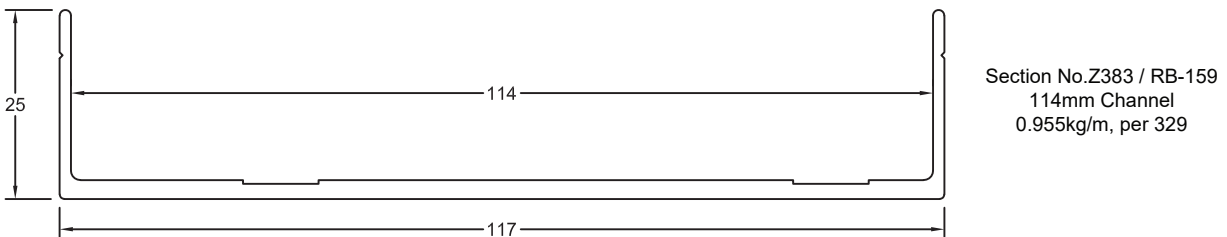
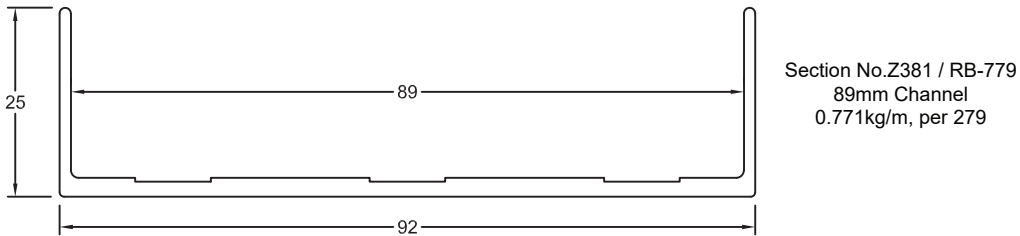
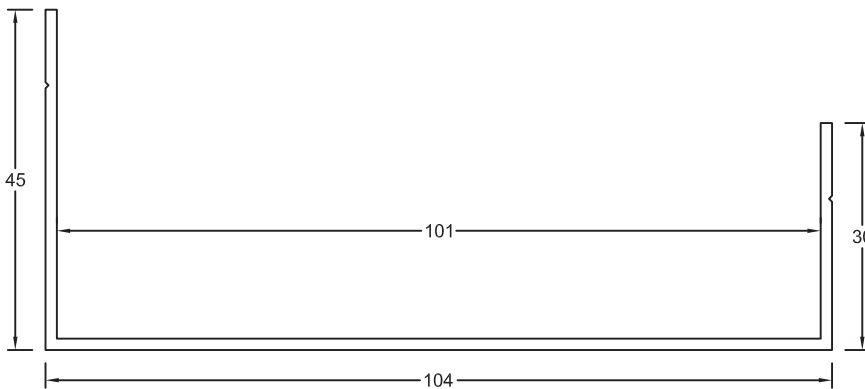
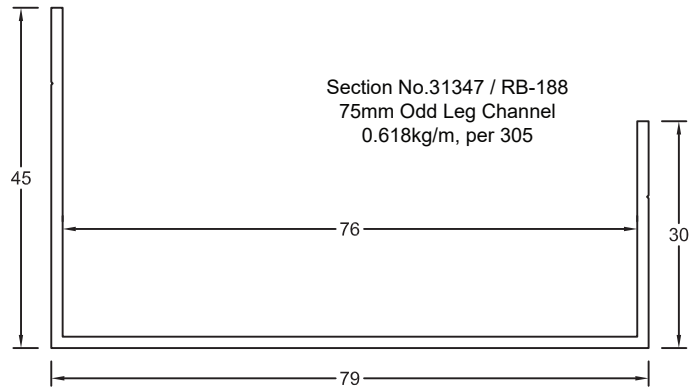
Section No. RB-1023
75mm Heavy Channel
0.865kg/m, per 270

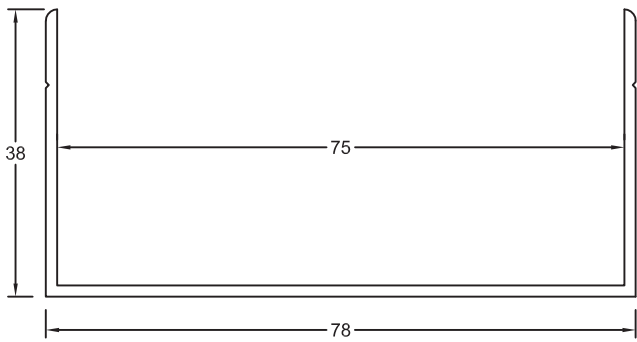


Section No. RB-301
89mm Channel
0.568kg/m, per 282

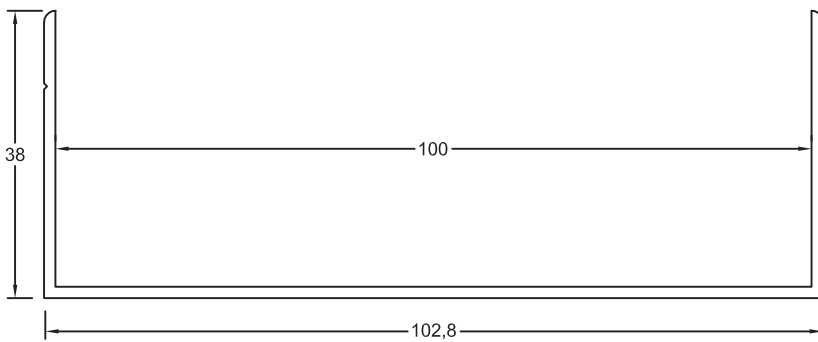


Section No. RB-206
100mm Channel
0.653kg/m, per 302

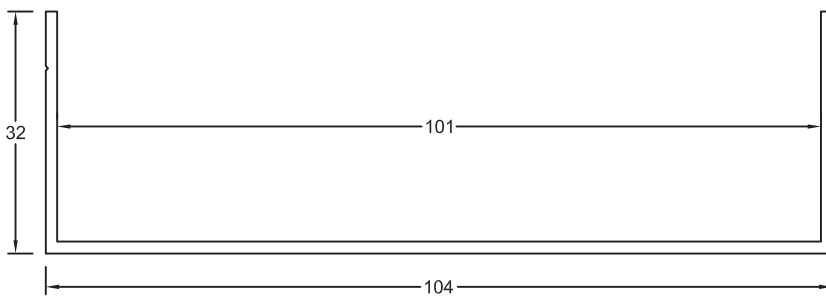




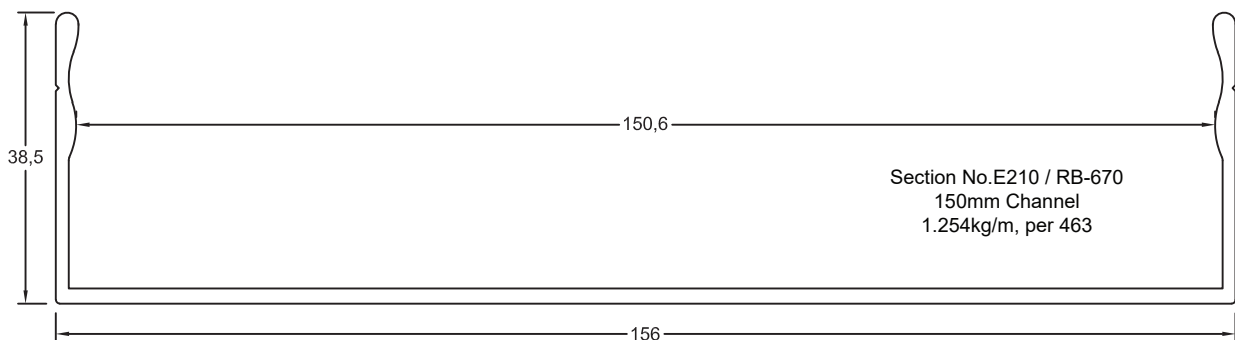
Section No.K747 / RB-140
75mm Channel
0.615kg/m, per 304



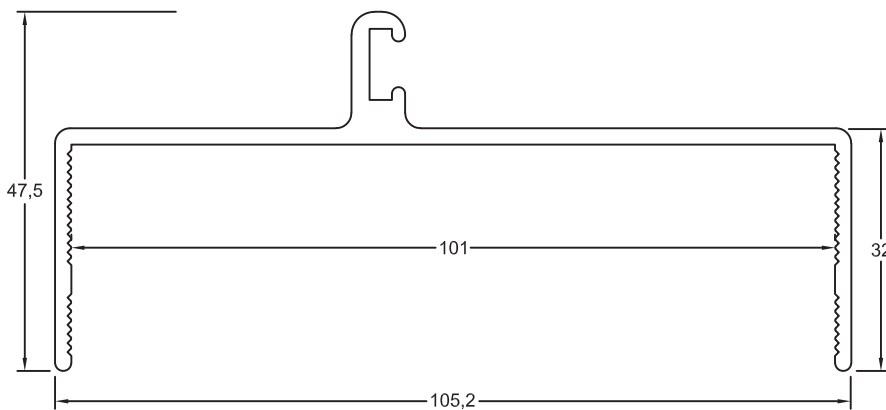
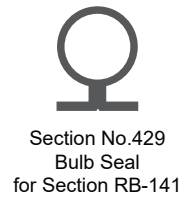
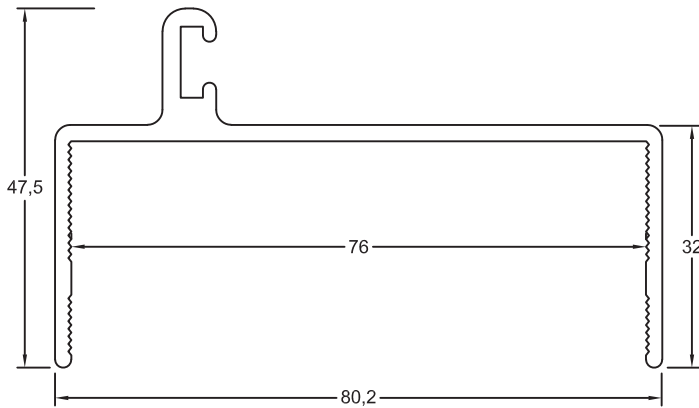
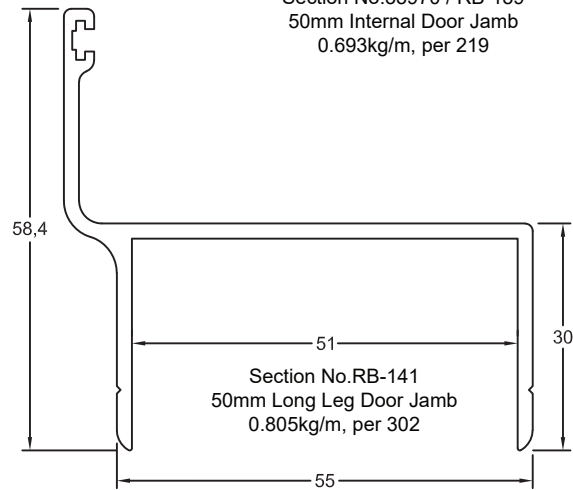
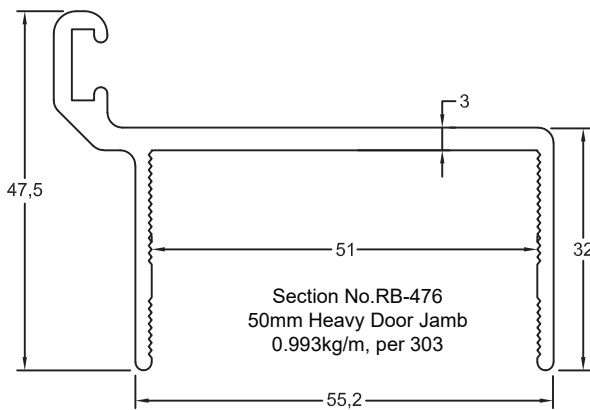
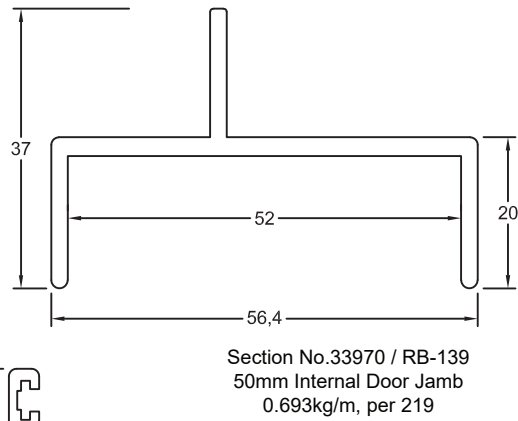
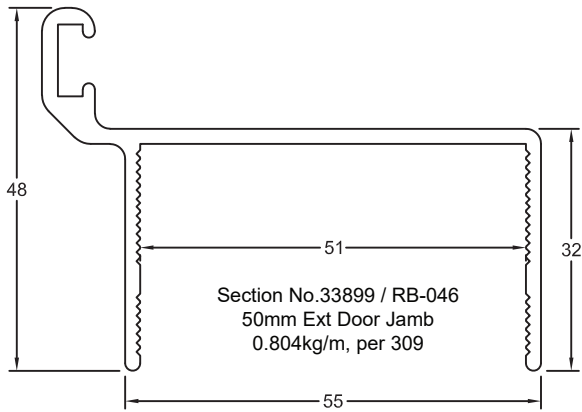
Section No.K748 / RB-456
100mm Channel
0.717kg/m, per 354

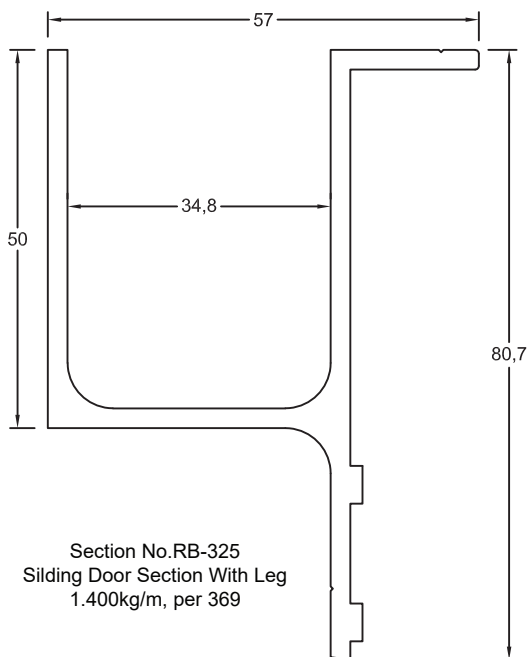
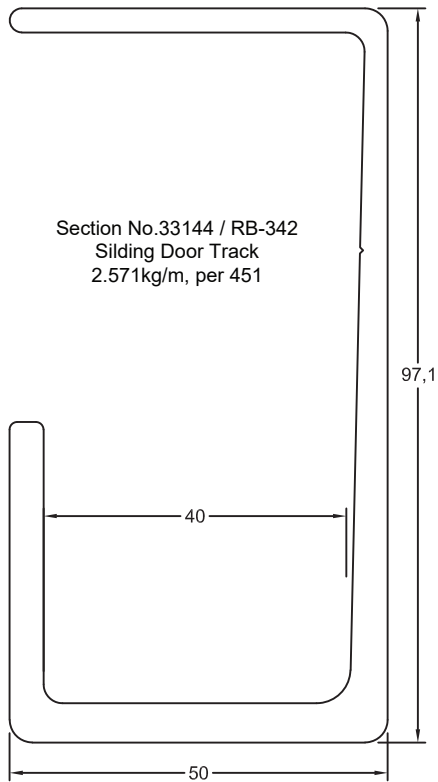


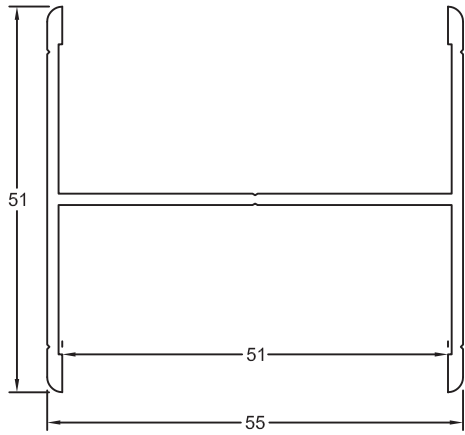
Section No.RB-502
100mm Channel
0.703kg/m, per 333



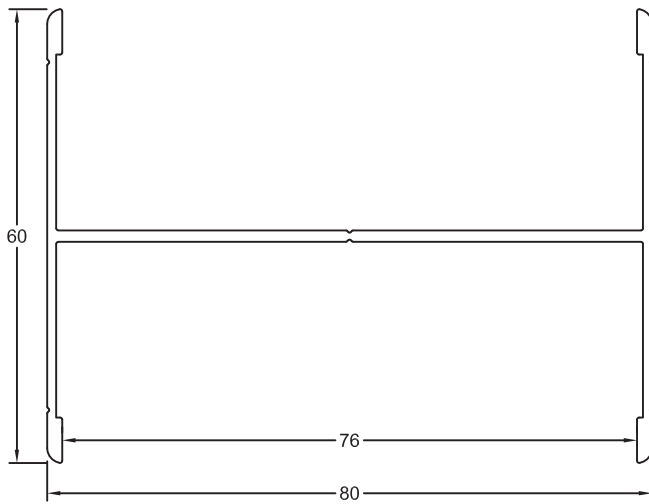
Section No.E210 / RB-670
150mm Channel
1.254kg/m, per 463



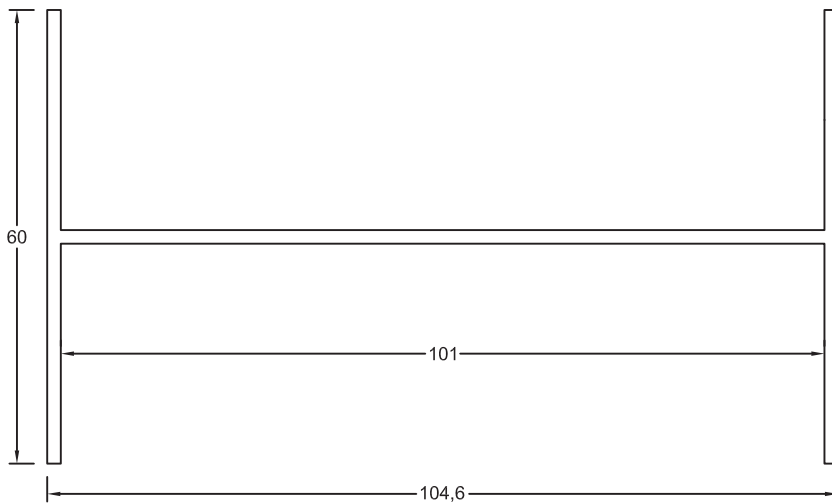




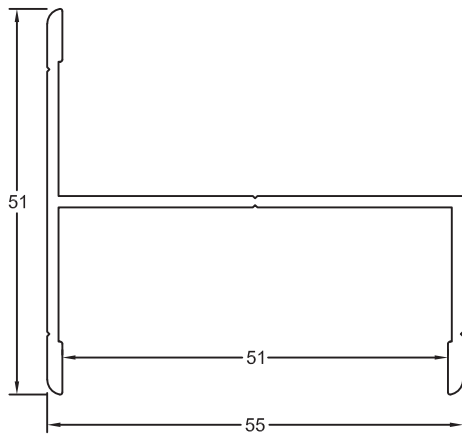
Section No.31753 / RB-344
50mm I Beam
0.647kg/m, per 313



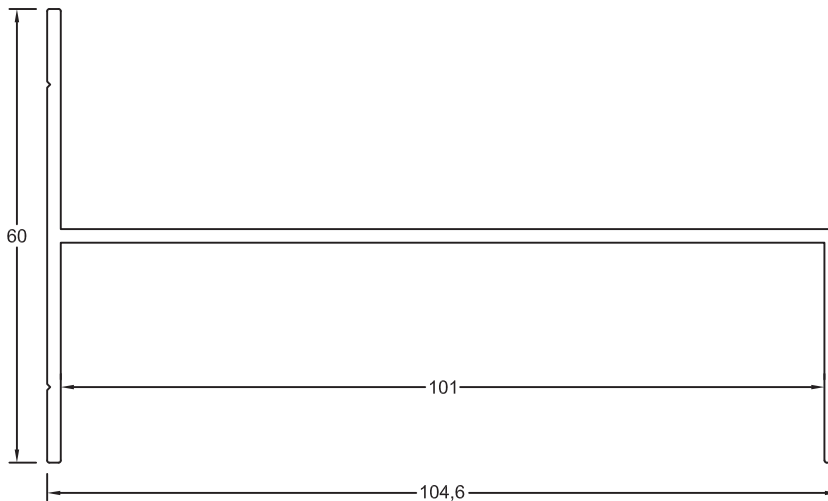
Section No.RB-485
75mm I Beam
0.752kg/m, per 400



Section No.RB-343
100mm I Beam
1.086kg/m, per 446

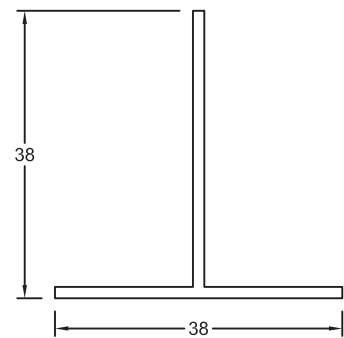
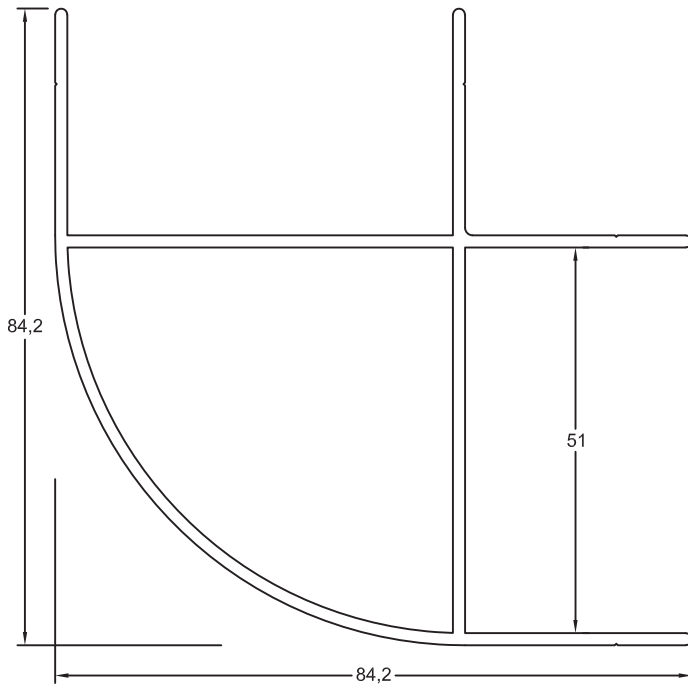
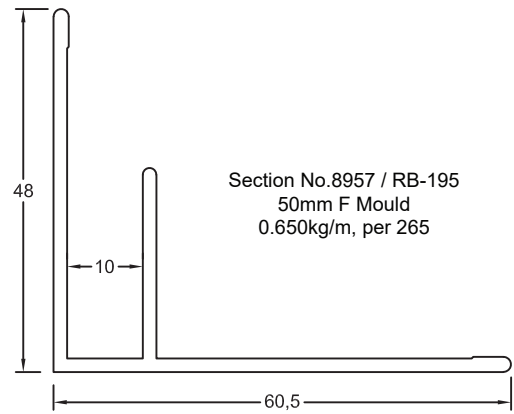
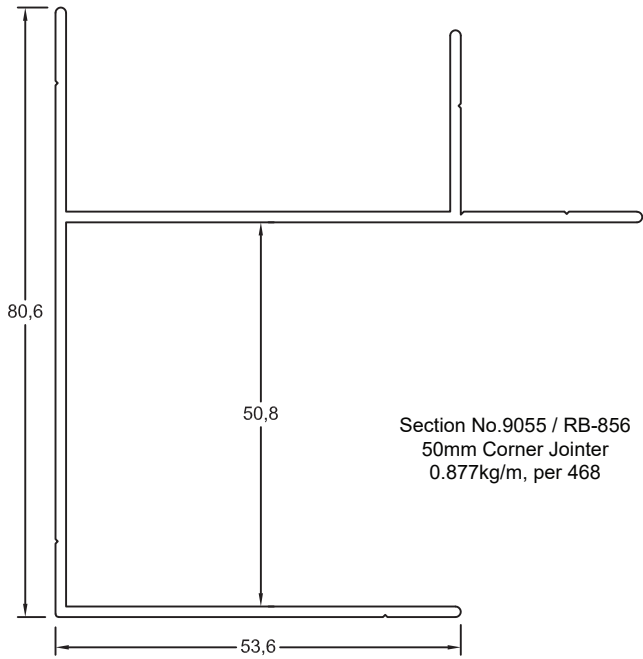


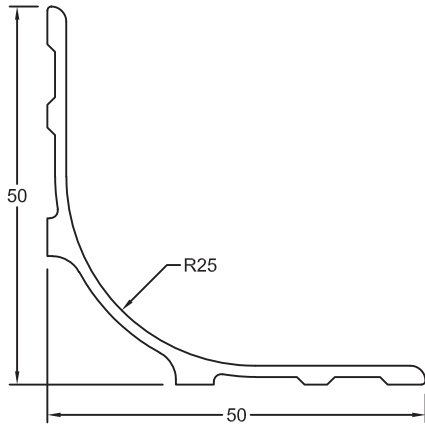
Section No.F2985 / RB-709
50mm Chair Section
0.550kg/m, per 262



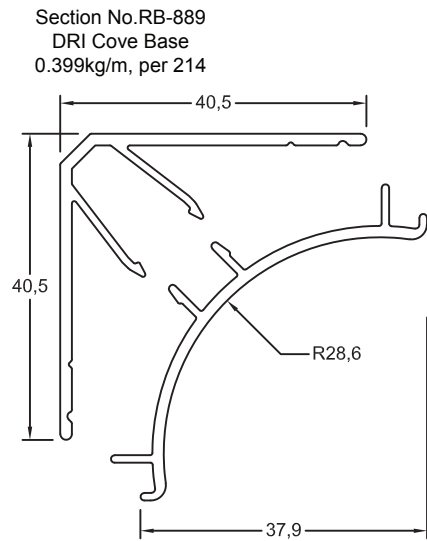
Section No.36145 / RB-735
100mm Chair Section
0.941kg/m, per 387

DB Stocked Sections (CLR) Cool Room Corner Joints



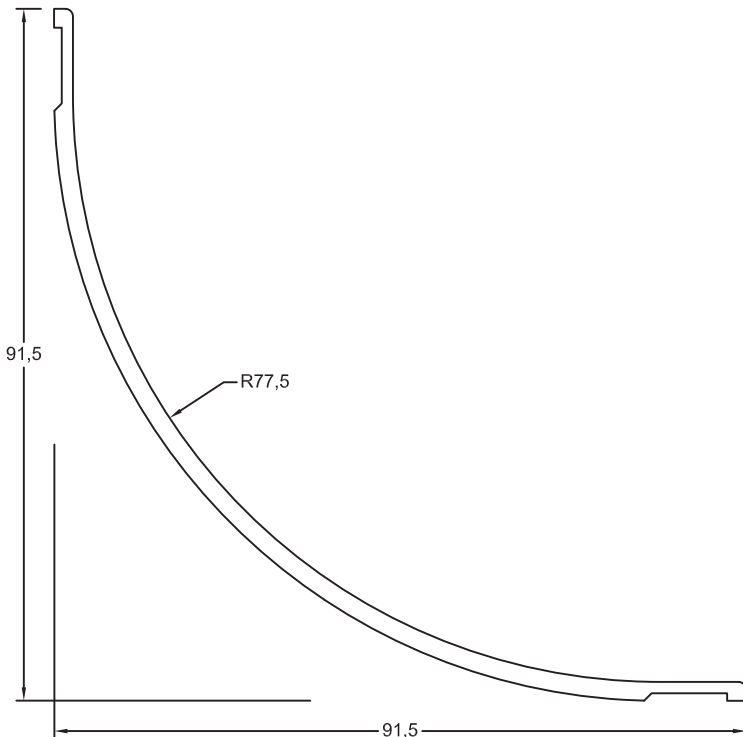


Section No.7360 / RB-316
50mm Cove
0.466kg/m, per 183

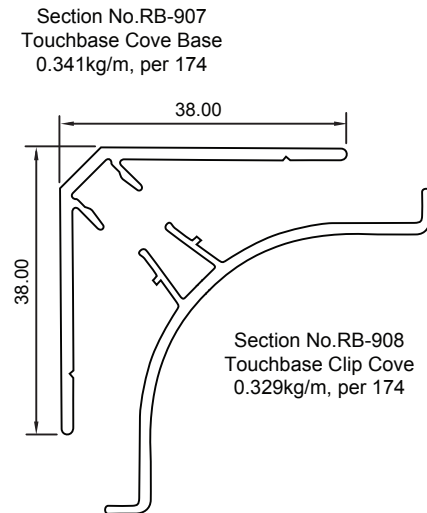


Section No.RB-889
DRI Cove Base
0.399kg/m, per 214

Section No.RB-890
DRI Clip Cove
0.303kg/m, per 166

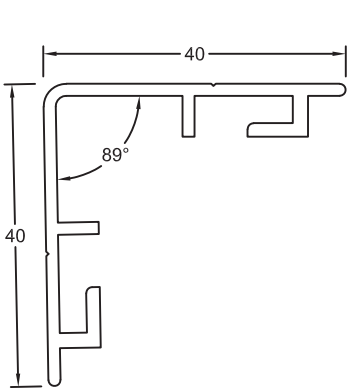


Section No.F4266 / RB-193
75.5mm Cove
0.943kg/m, per 300

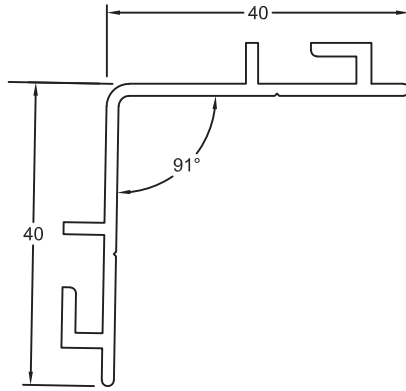


Section No.RB-907
Touchbase Cove Base
0.341kg/m, per 174

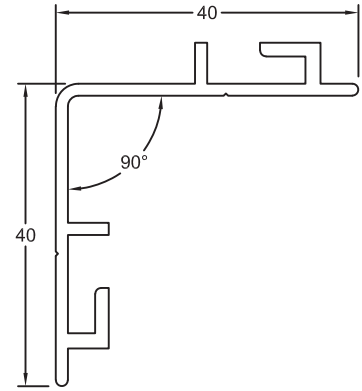
Section No.RB-908
Touchbase Clip Cove
0.329kg/m, per 174



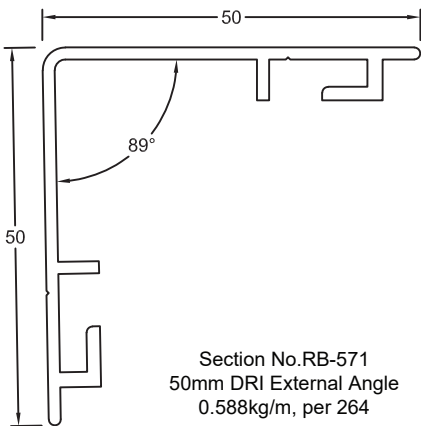
Section No.RB-376
40mm DRI External Angle
0.500kg/m, per 224



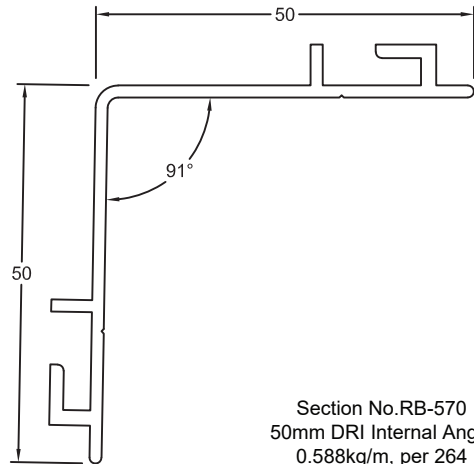
Section No.RB-375
40mm DRI Internal Angle
0.501kg/m, per 224



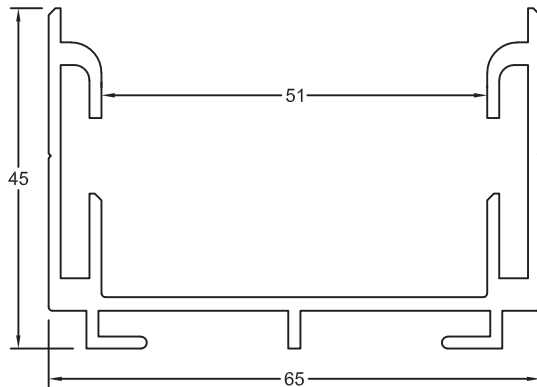
Section No.RB-374
40mm DRI Dual Angle
0.501kg/m, per 224



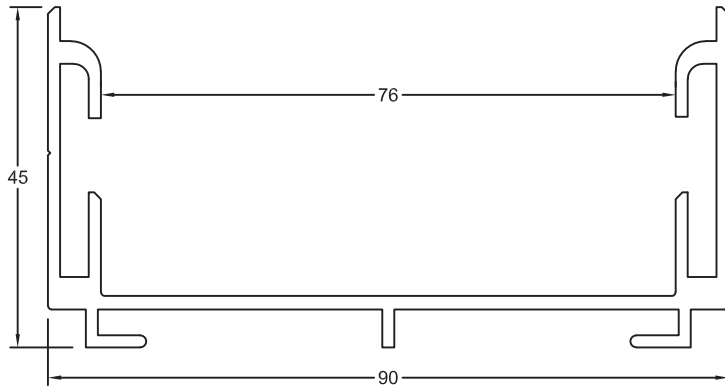
Section No.RB-571
50mm DRI External Angle
0.588kg/m, per 264



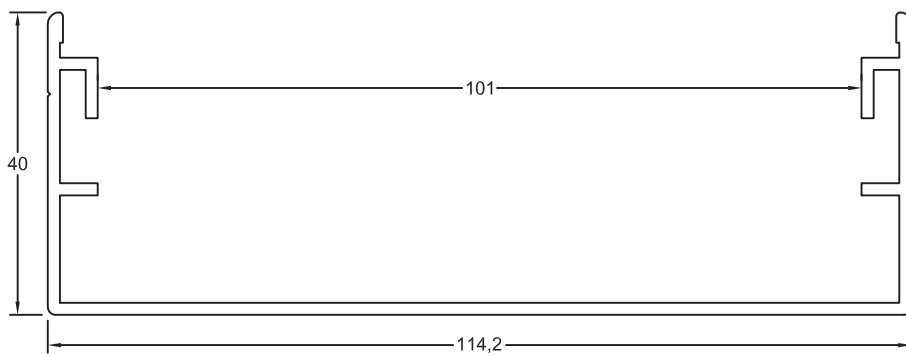
Section No.RB-570
50mm DRI Internal Angle
0.588kg/m, per 264



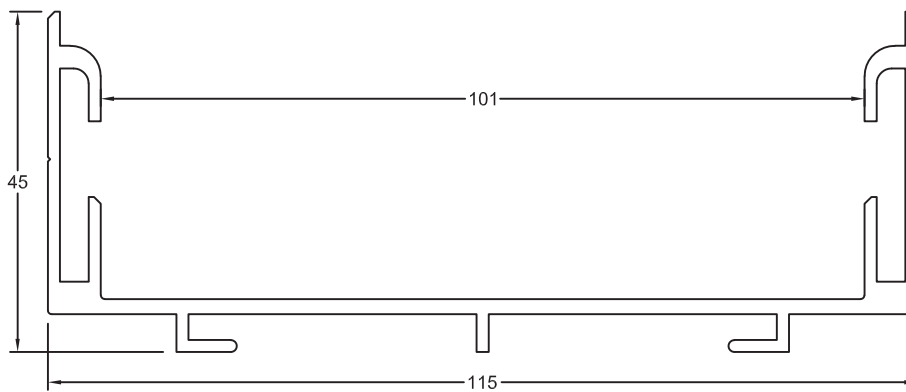
Section No.RB-379
50mm DRI Base Channel
1.075kg/m, per 427



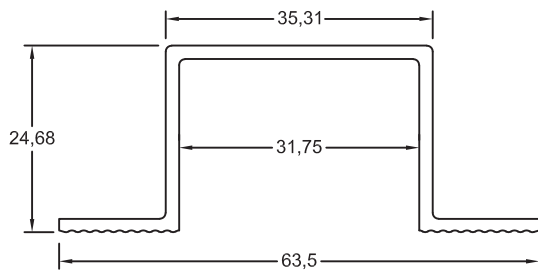
Section No.RB-372
75mm DRI Base Channel
1.199kg/m, per 478



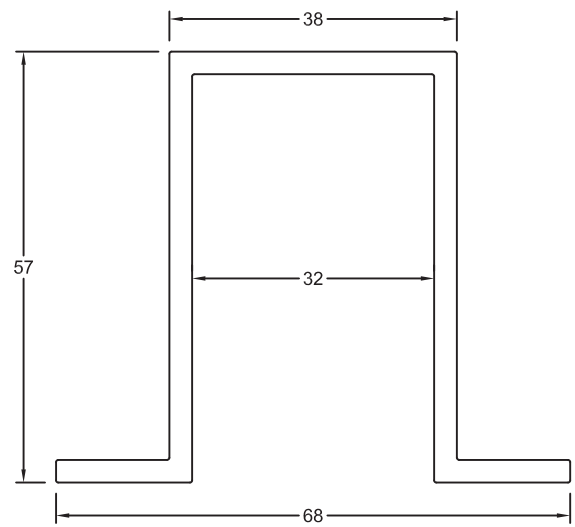
Section No.RB-560
100mm DRI Base Channel
0.982kg/m, per 450



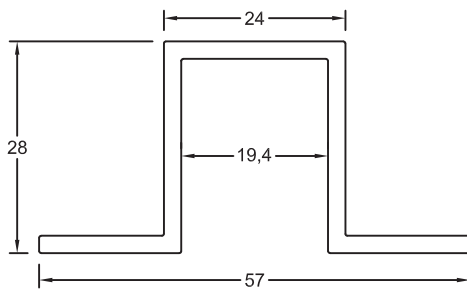
Section No.RB-371
100mm DRI Base Channel
1.376kg/m, per 527



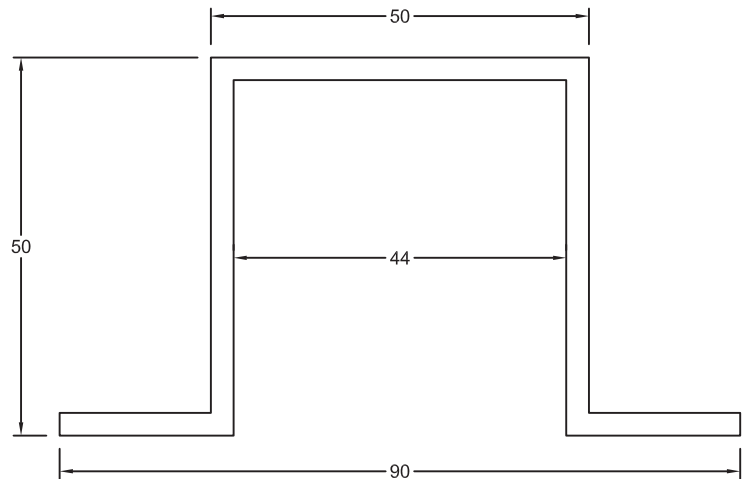
Section No. 2184-1
0.517kg/m, per 221



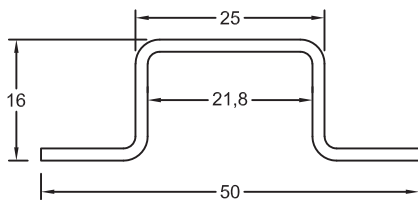
Section No. 38552
1.431kg/m, per 356



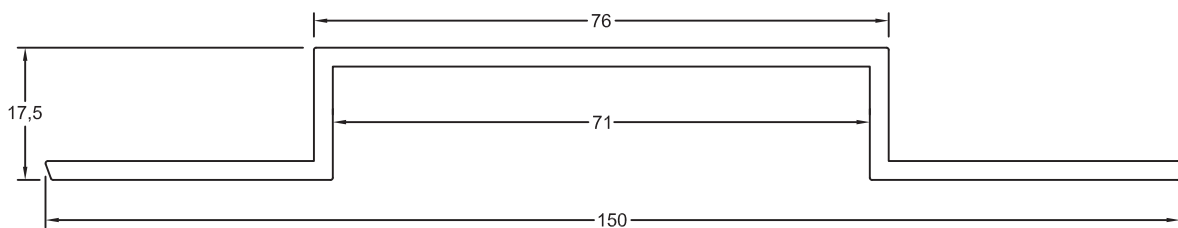
Section No. 38551
0.676kg/m, per 220



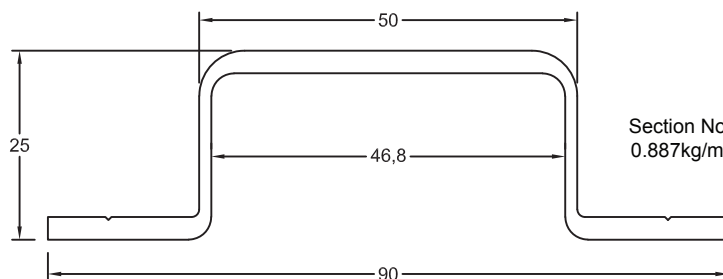
Section No. RB-854
1.490kg/m, per 374



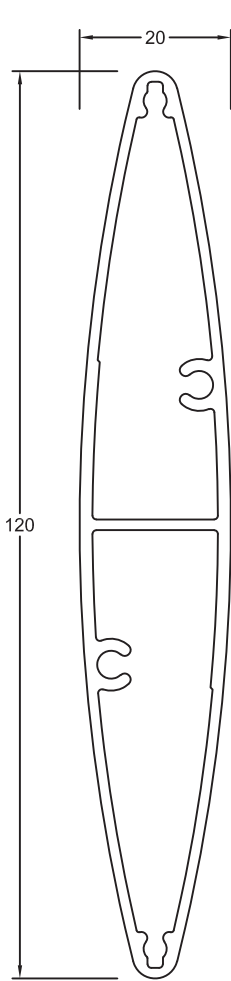
Section No. 0582
0.324kg/m, per 153



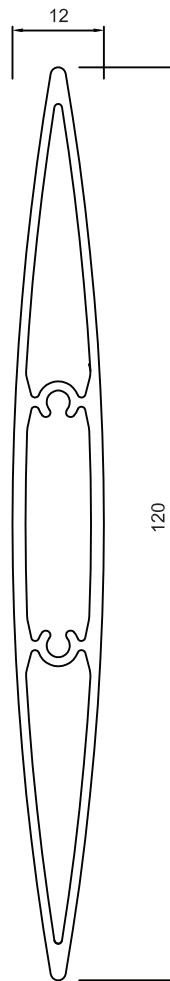
Section No. 35850
1.217kg/m, per 363



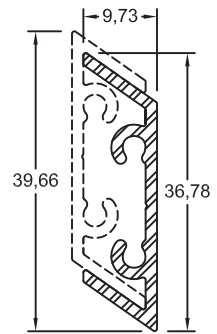
Section No. RB-492
0.887kg/m, per 364



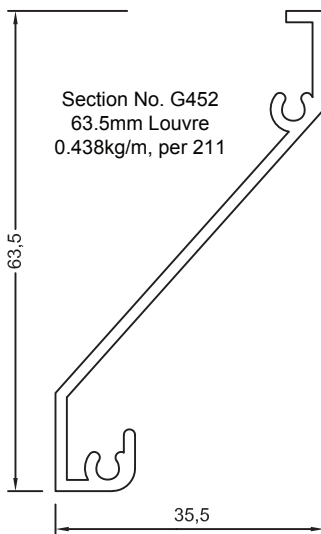
Section No. RB-440
120 x 20mm Louvre
1.180kg/m, per 249



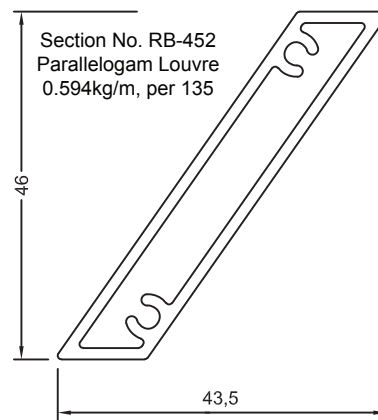
Section No. 34509
120 x 12mm Louvre
0.986kg/m, per 244



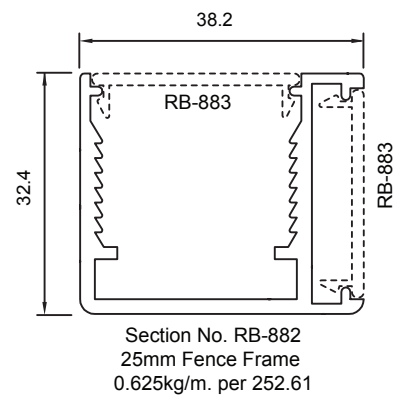
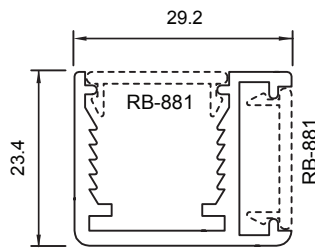
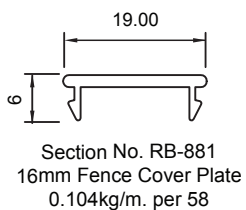
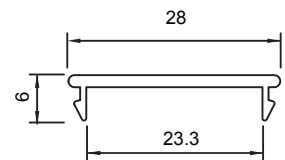
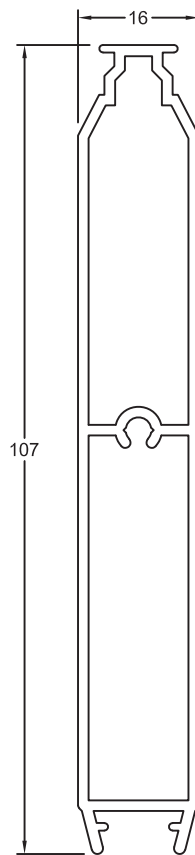
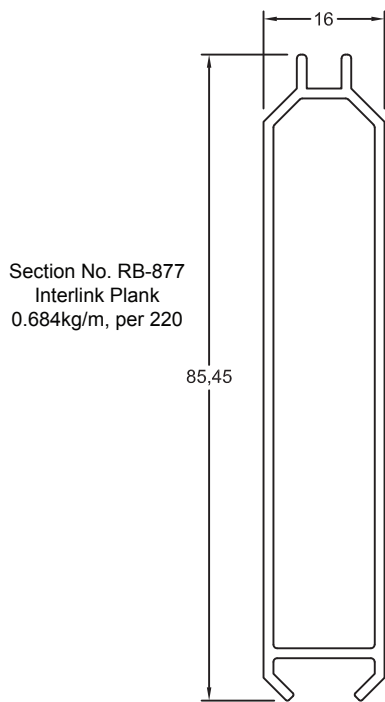
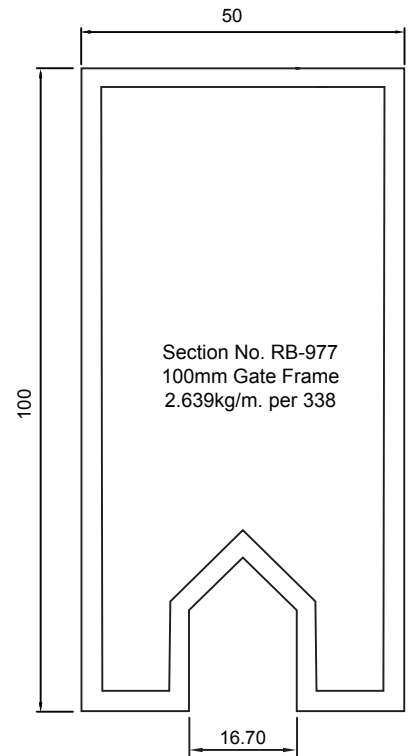
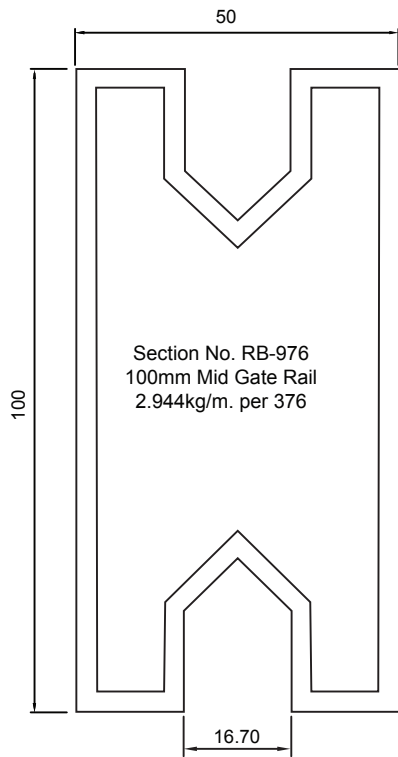
Section No. 5947
French Cleat
0.269kg/m, per 135

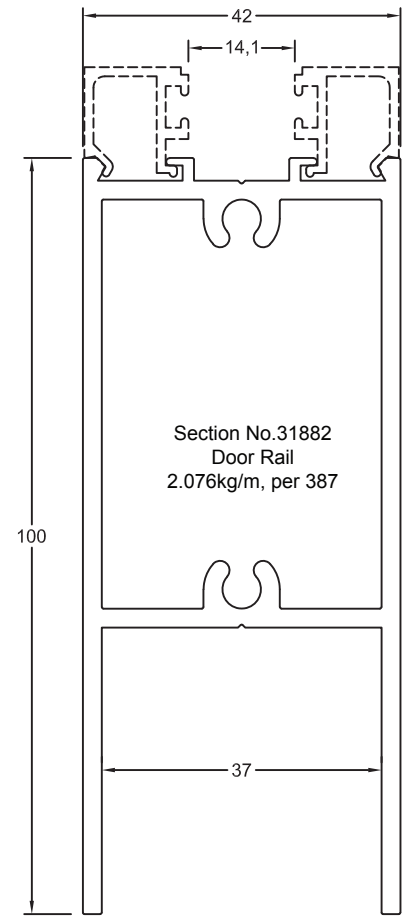
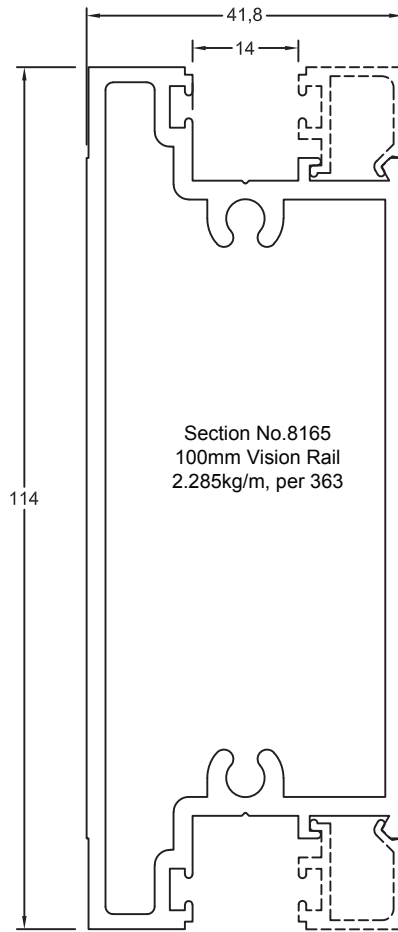
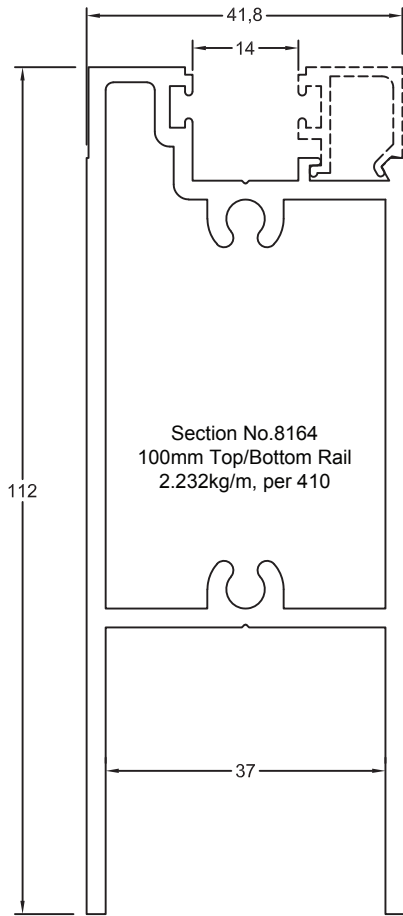


Section No. G452
63.5mm Louvre
0.438kg/m, per 211

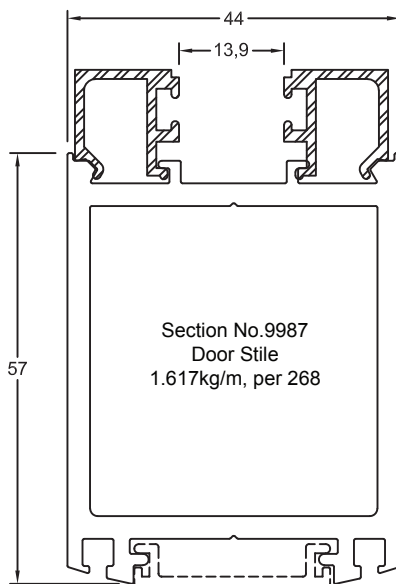


Section No. RB-452
Parallelogram Louvre
0.594kg/m, per 135

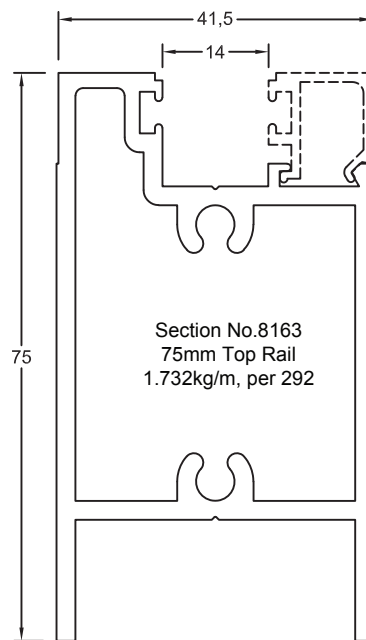


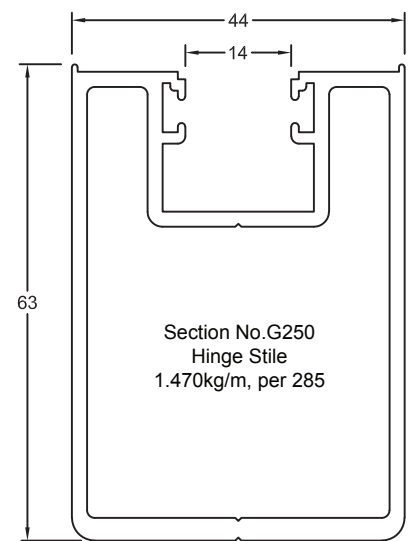
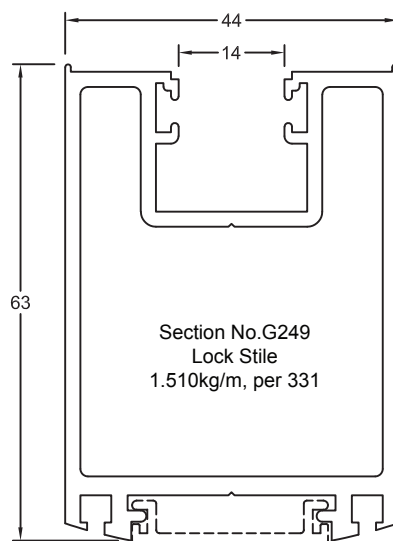
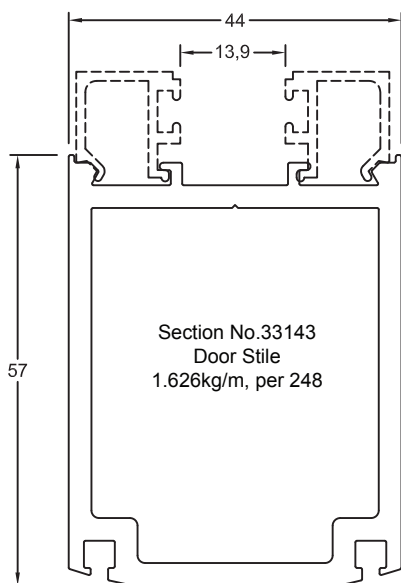
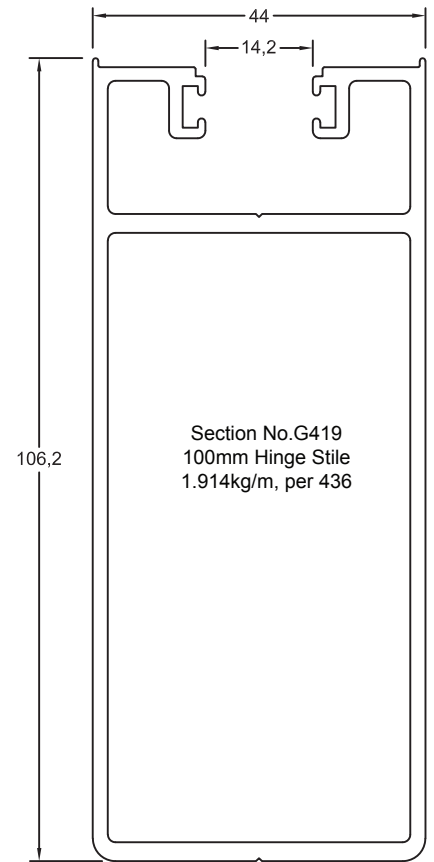
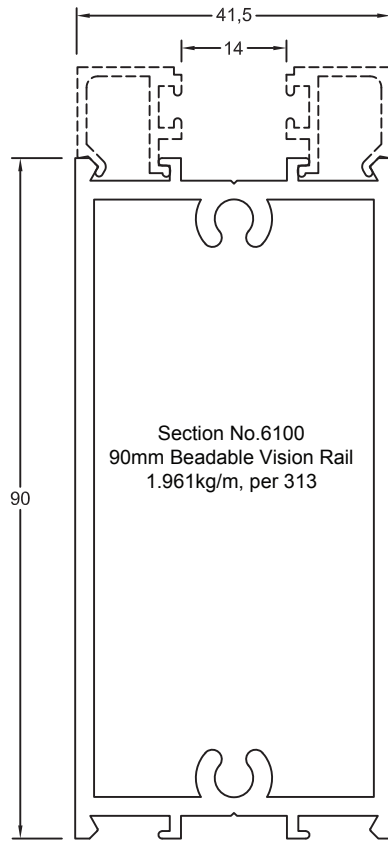
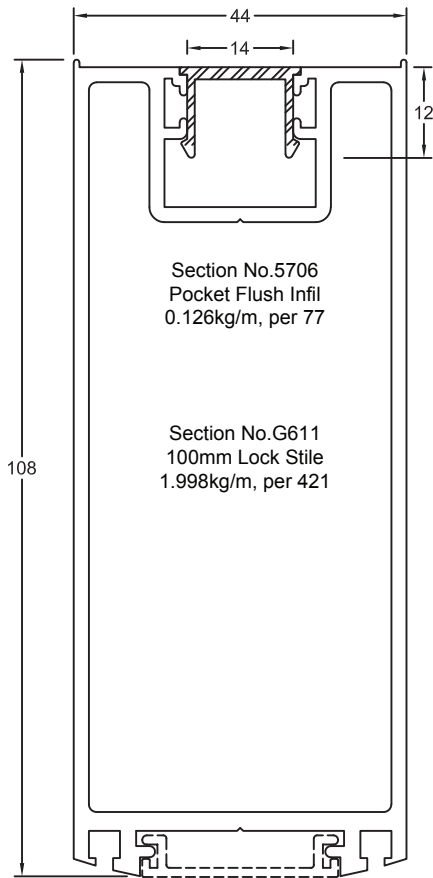


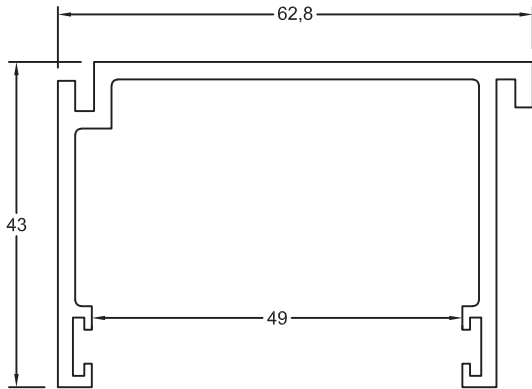
Section No. 5653
Square Bead
0.166kg/m, per 98



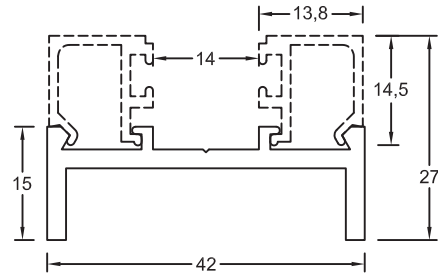
Section No. 8167
Infil For Stile
0.131kg/m, per 82



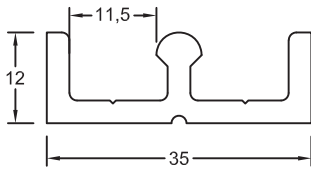




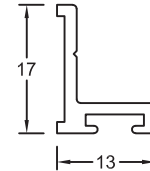
Section No. 5584
Head Track
0.987kg/m, per 340



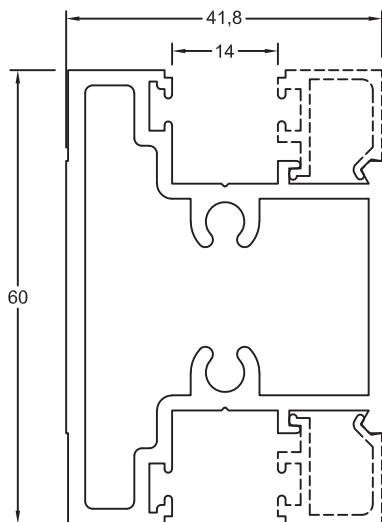
Section No. 5620
Vision Rail Infil
0.484kg/m, per 157



Section No. 6350
Door Track
0.987kg/m, per 340

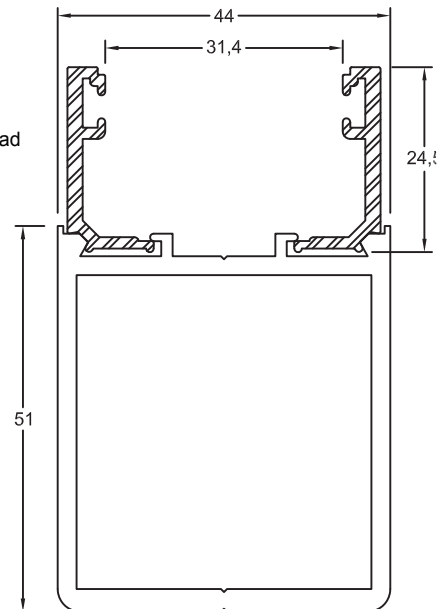


Section No. 6136
Door Stop
0.150kg/m, per 72

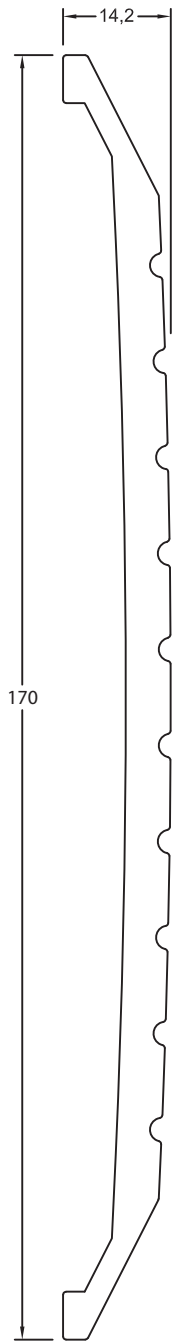


Section No. G251
Narrow Vision Rail
1.400kg/m, per 259

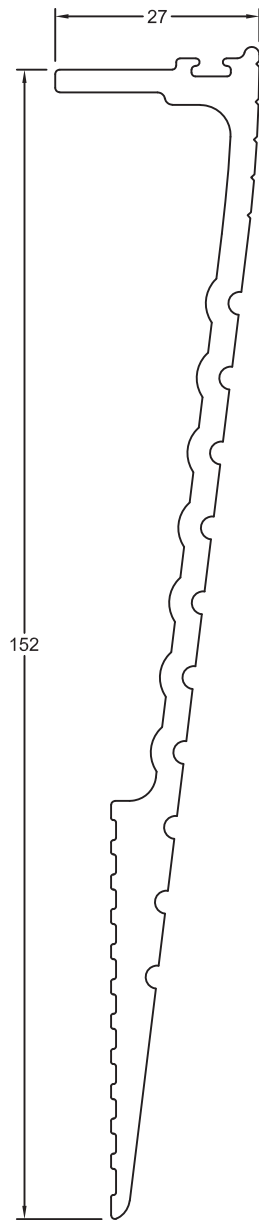
Section No. 32550
Double Glazing Door Bead
0.194kg/m, per 87



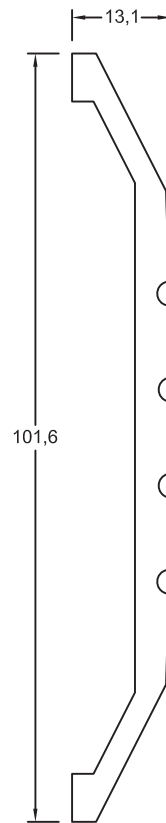
Section No. 5622
Hinge Stile
1.299kg/m, per 215



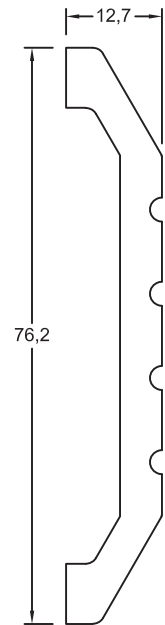
Section No.0750
170mm Threshold
2.466kg/m, per 373



Section No.RB-320
150mm Sloping Threshold
1.955kg/m, per 401

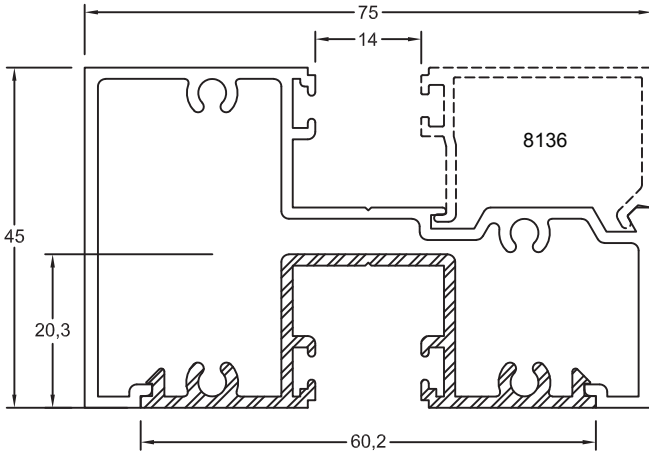


Section No.0749
100mm Threshold
1.154kg/m, per 230

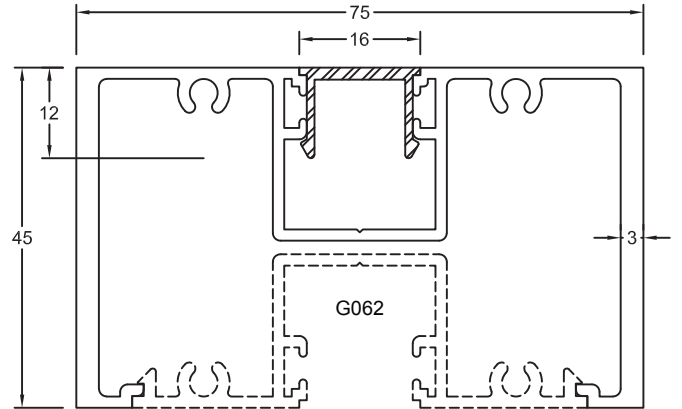


Section No.0732
75mm Threshold
1.154kg/m, per 181

Section No.G083
Transom
0.927kg/m, per 422

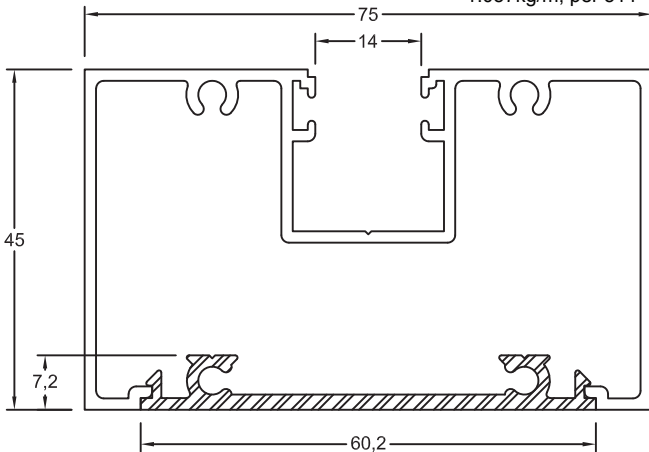


Section No.G059
Heavy Mullion
1.398kg/m, per 505

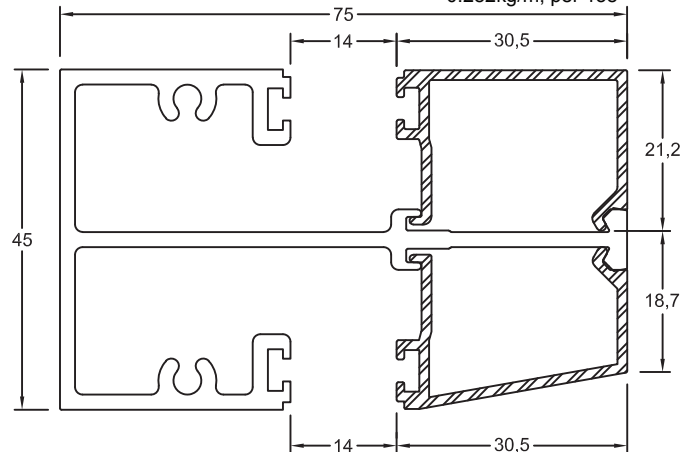


Section No.G062
75/100 Glazing Infil
0.579kg/m, per 281

Section No.G058
Mullion
1.057kg/m, per 511



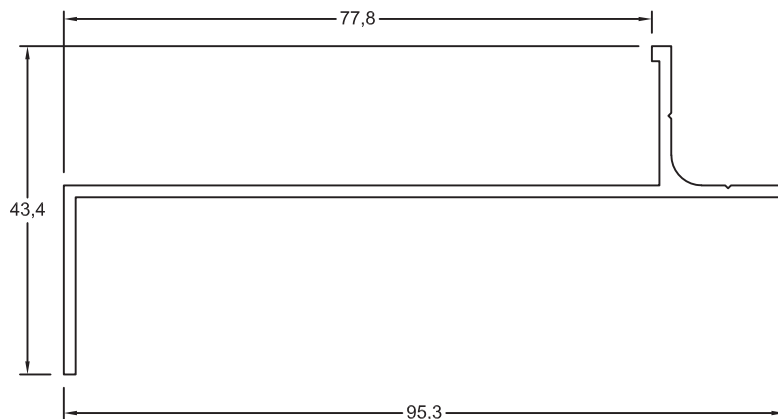
Section No.8136
75mm Square Bead
0.282kg/m, per 158



Section No.5581
Plain Infil
0.429kg/m, per 182

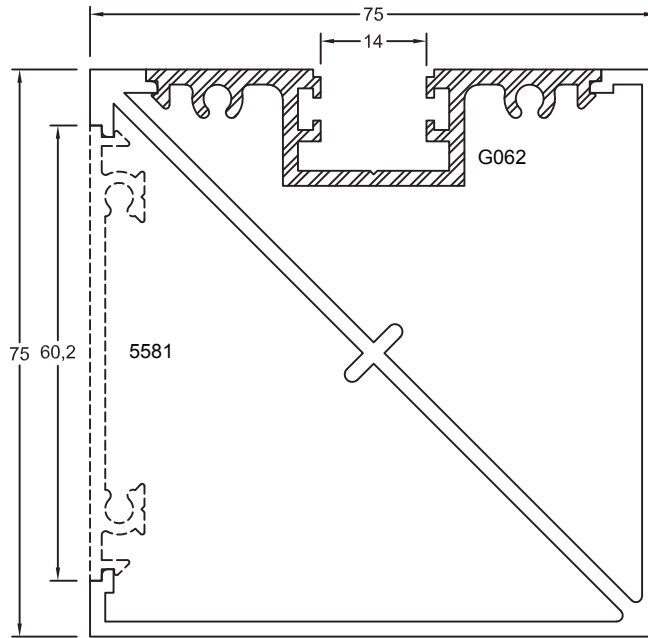
Section No.8706
Glazing Bar
1.286kg/m, per 463

Section No.7754
75mm Sloping Bead
0.267kg/m, per 150

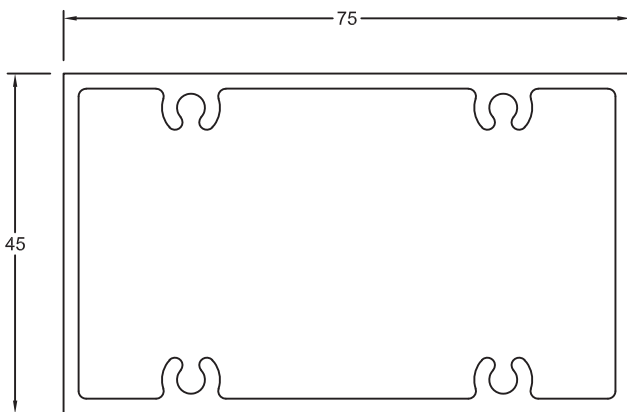


Section No.4895
Sil Tray
0.595kg/m, per 278

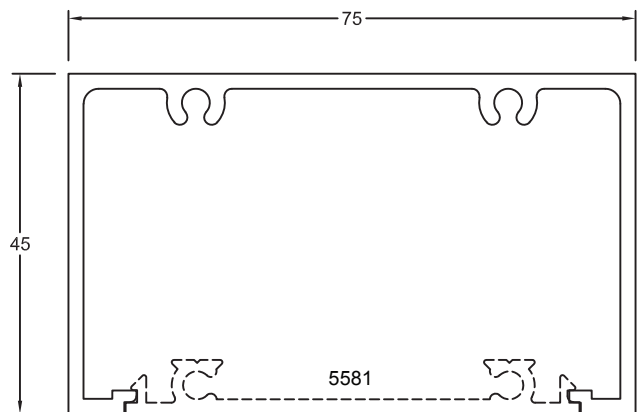
Section No.G062
75/100 Glazing Infil
0.579kg/m, per 281



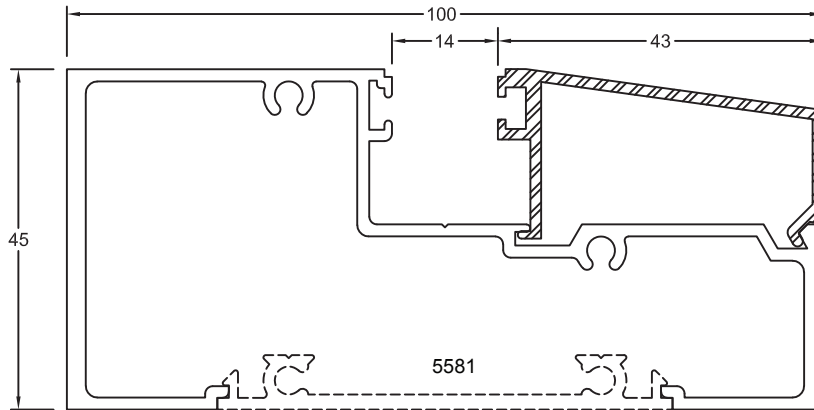
Section No.3882
Corner Post
1.568kg/m, per 565



Section No.7771
Screw Port Box
1.532kg/m, per 240

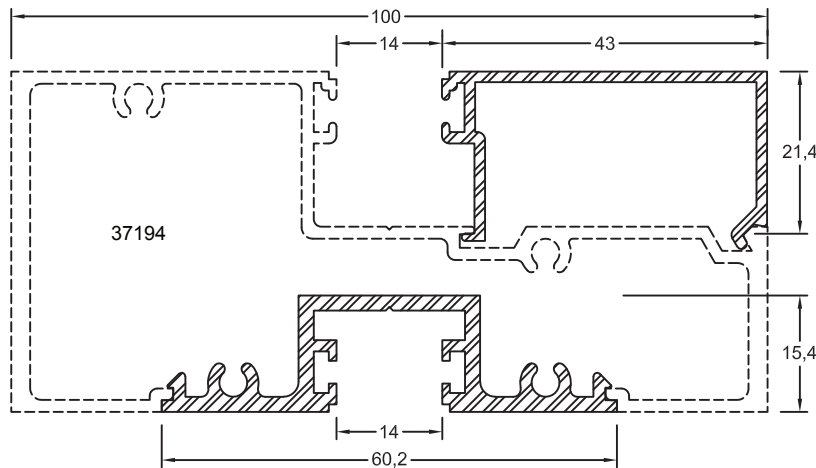


Section No.6726
Screw Port Channel
1.079kg/m, per 388



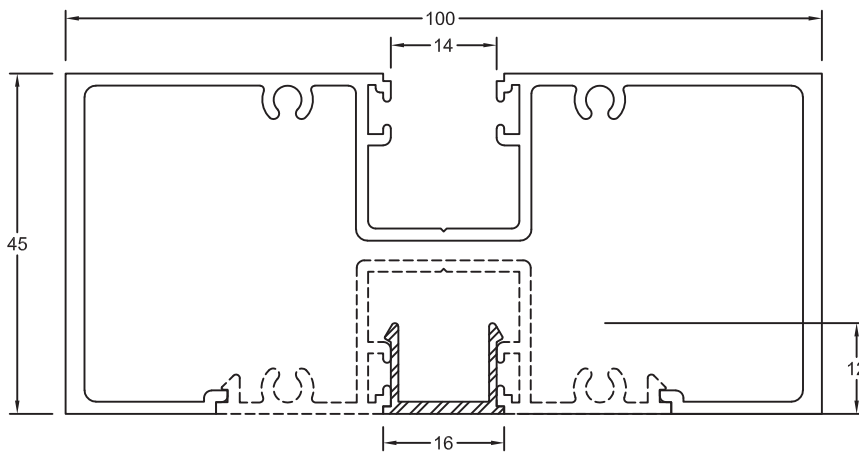
Section No.37196
Centre Glazing Sloping Bead
0.362kg/m, per 184

Section No.37194
Centre Glazing Transom
1.290kg/m, per 514
must use 9698



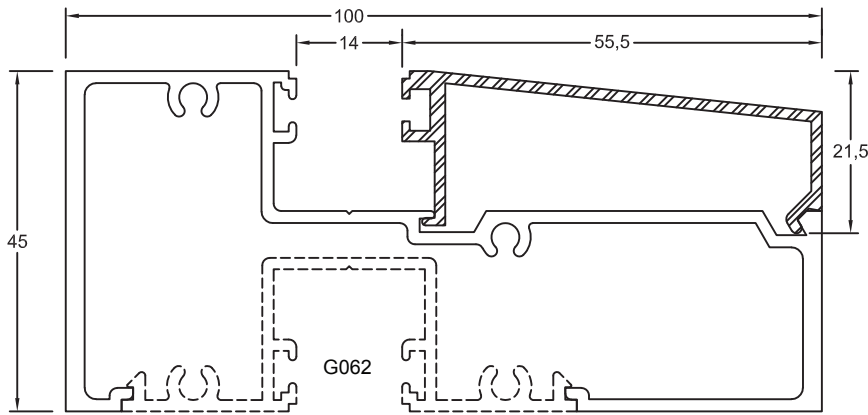
Section No.37195
Centre Glazing Square Bead
0.367kg/m, per 195

Section No.9698
Shallow Pocket Infil
0.650kg/m, per 254



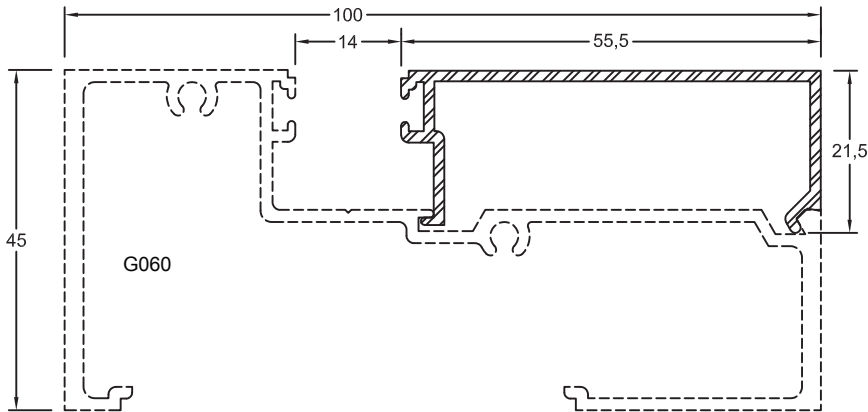
Section No.37197
Centre Glazing Mullion
1.522kg/m, per 600

Section No.5706
Pocket Flush Infil
0.126kg/m, per 77

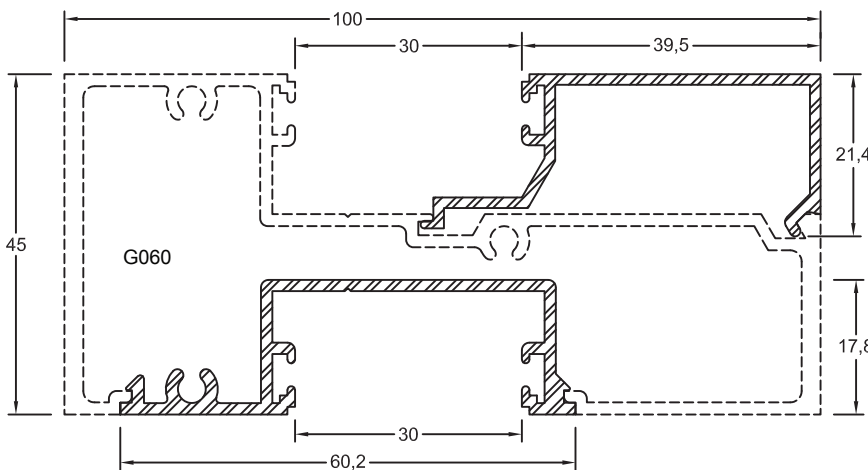


Section No.7757
Sloping Transom Bead
0.394kg/m, per 201

Section No.G060
Transom
1.295kg/m, per 514

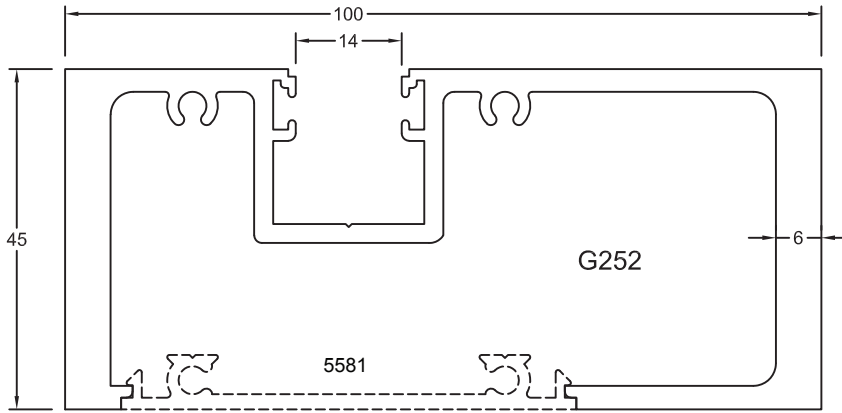


Section No.30299
Square Transom Bead
0.399kg/m, per 212

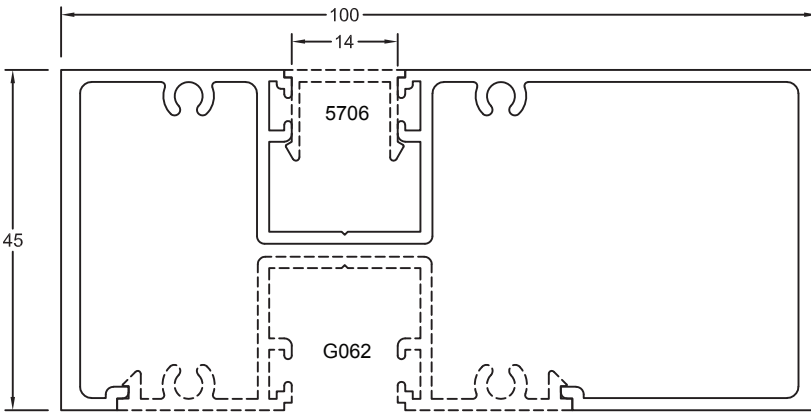


Section No.30772
Double Glazing Bead
0.380kg/m, per 203

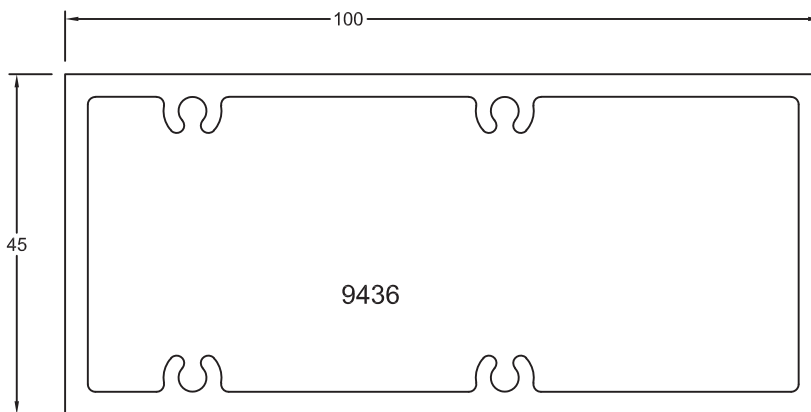
Section No.30771
Double Glazing Infil
0.511kg/m, per 248



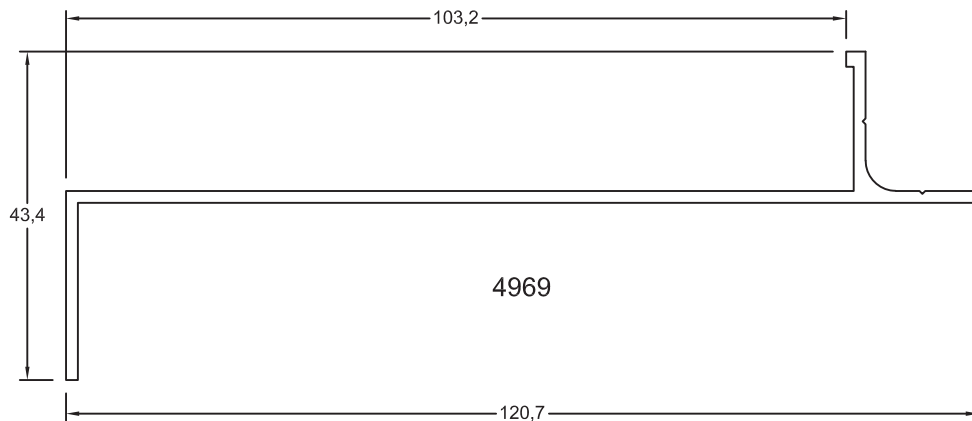
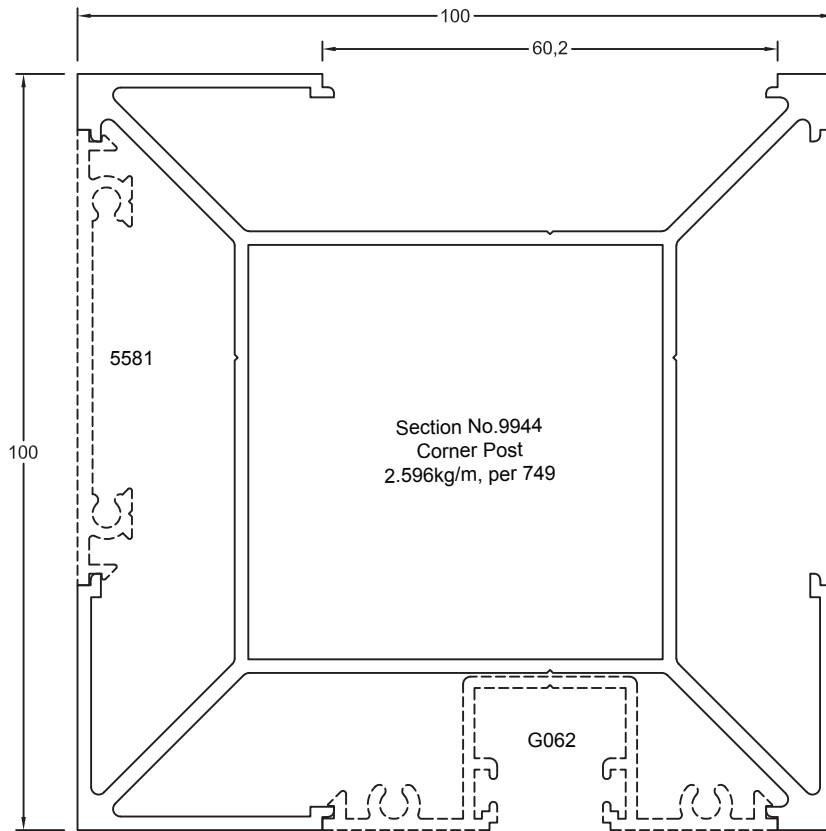
Section No.G252
Heavy Mullion
2.828kg/m, per 577



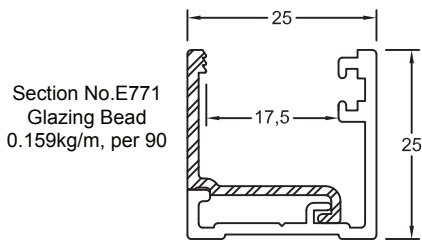
Section No.G061
Mullion
1.531kg/m, per 605



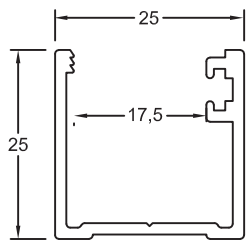
Section No.9436
Screw Port Box
2.478kg/m, per 290



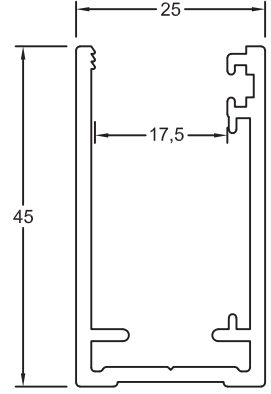
Section No.4969
Sill Tray
0.703kg/m, per 329



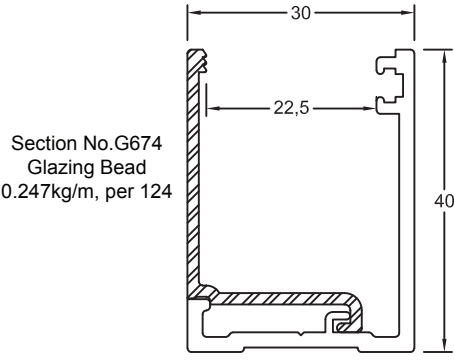
Section No. E771
Glazing Bead
0.159kg/m, per 90



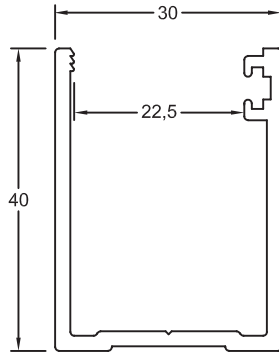
Section No. E770
Glazing Channel
0.387kg/m, per 167



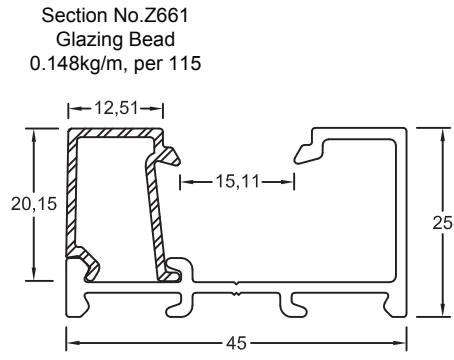
Section No. 31427
Glazing Channel
0.693kg/m, per 271



Section No. G674
Glazing Bead
0.247kg/m, per 124

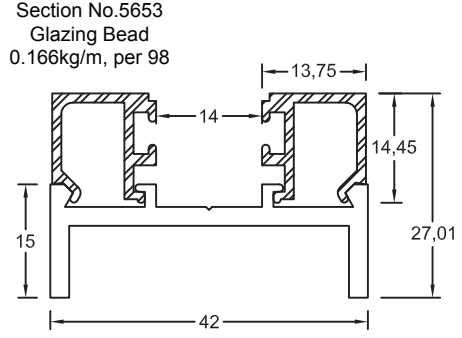


Section No. G673
Glazing Channel
0.613kg/m, per 235



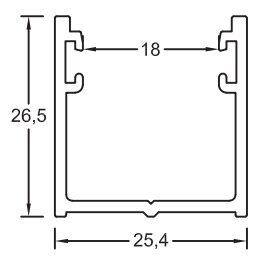
Section No. Z661
Glazing Bead
0.148kg/m, per 115

Section No. Z662
Glazing Cill
0.442kg/m, per 208

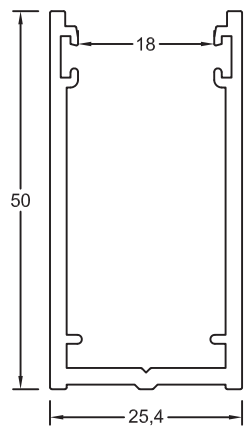


Section No. 5653
Glazing Bead
0.166kg/m, per 98

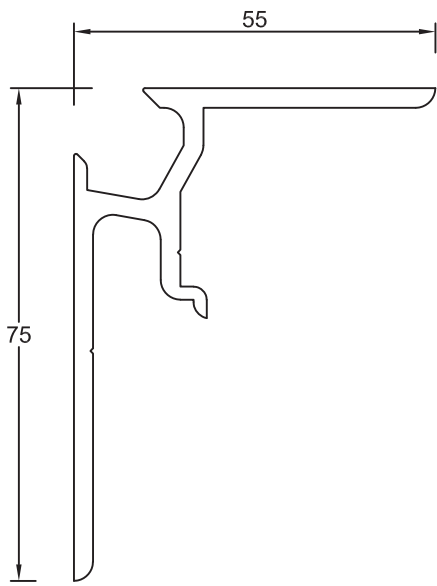
Section No. 5620
Glazing Cill
0.484kg/m, per 157



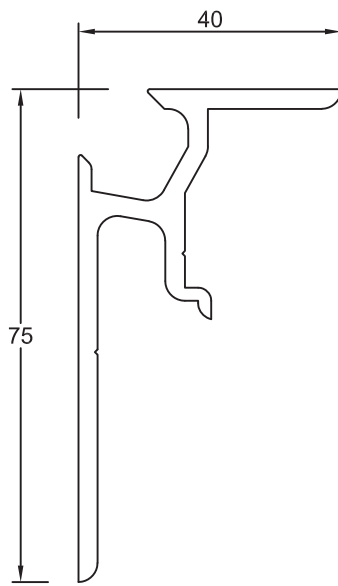
Section No. 33602
Glazing Channel
0.353kg/m, per 178



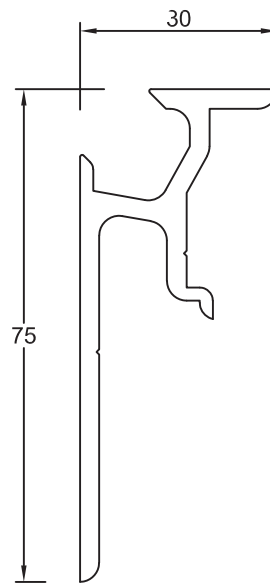
Section No. 33604
Glazing Channel
0.742kg/m, per 276



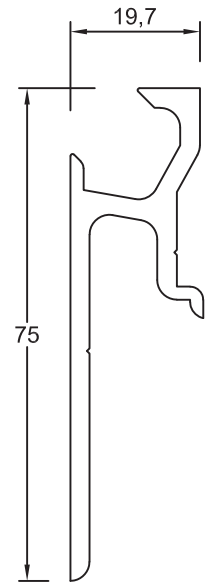
Section No. RB-192
1.223 kg/m, per 306



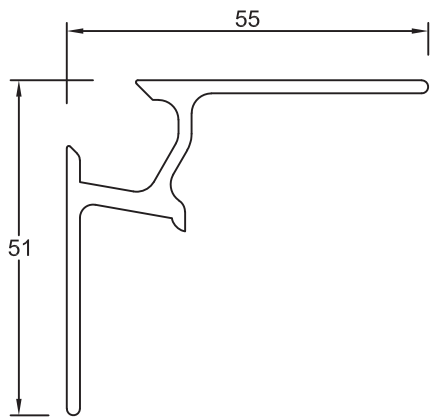
Section No. RB-191
1.103 kg/m, per 276



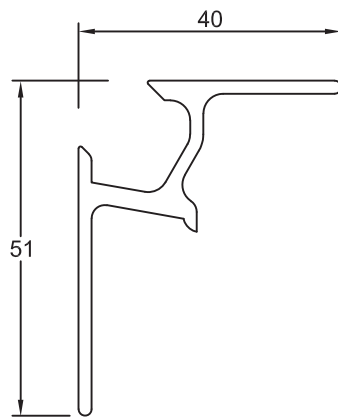
Section No. RB-190
1.018 kg/m, per 265



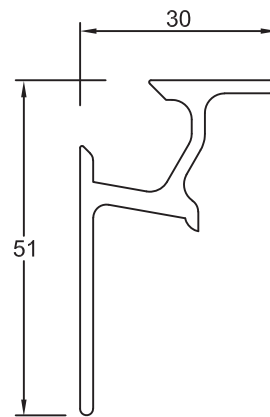
Section No. RB-087
0.941 kg/m, per 237



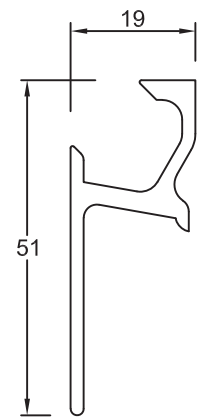
Section No. RB-287
0.723 kg/m, per 232



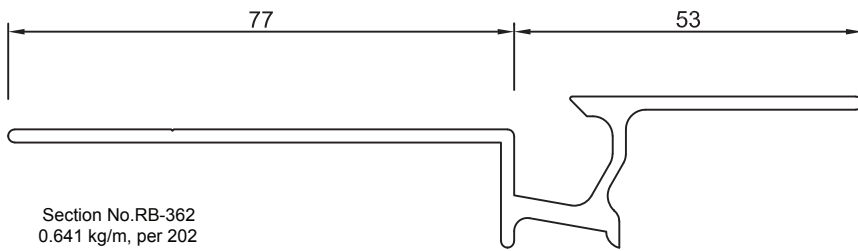
Section No. RB-261
0.641 kg/m, per 202



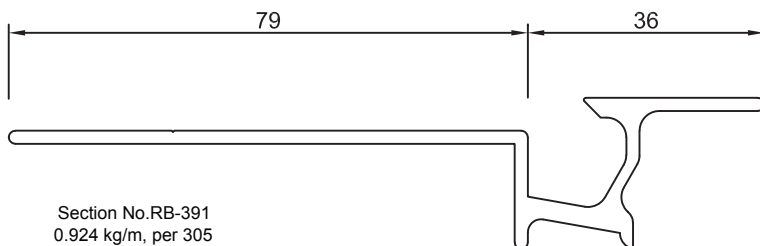
Section No. RB-286
0.587 kg/m, per 182



Section No. RB-260
0.522 kg/m, per 162



Section No. RB-362
0.641 kg/m, per 202



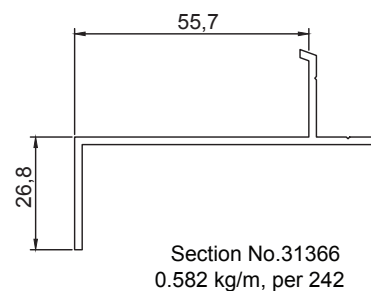
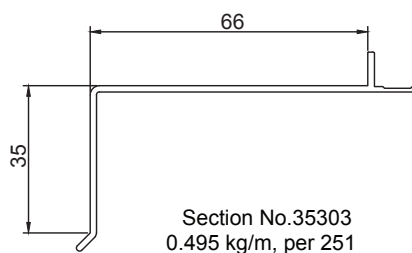
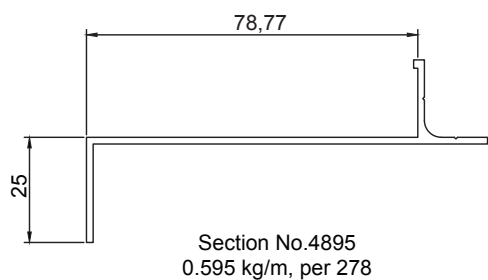
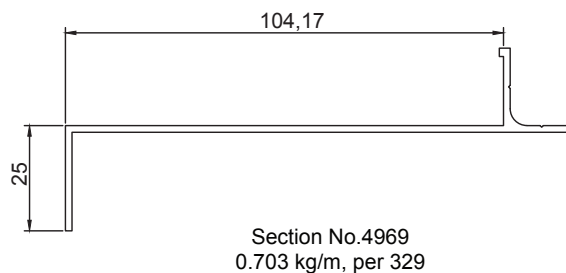
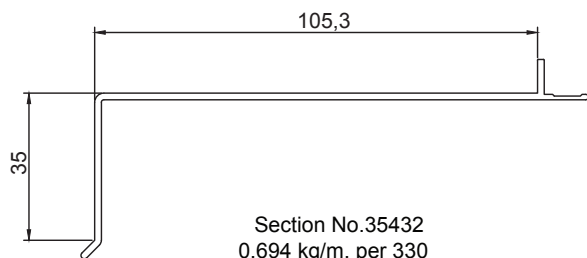
Section No. RB-391
0.924 kg/m, per 305

* Window Support Bar Bracket is available



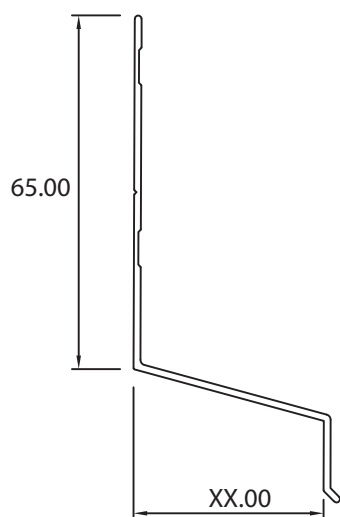
Stocked Sections

Sill Flashings

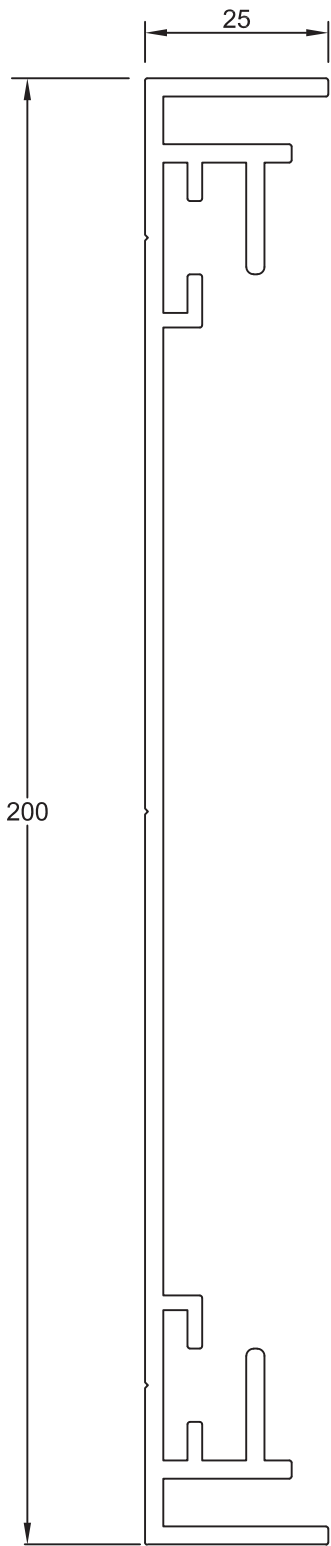


Stocked Sections

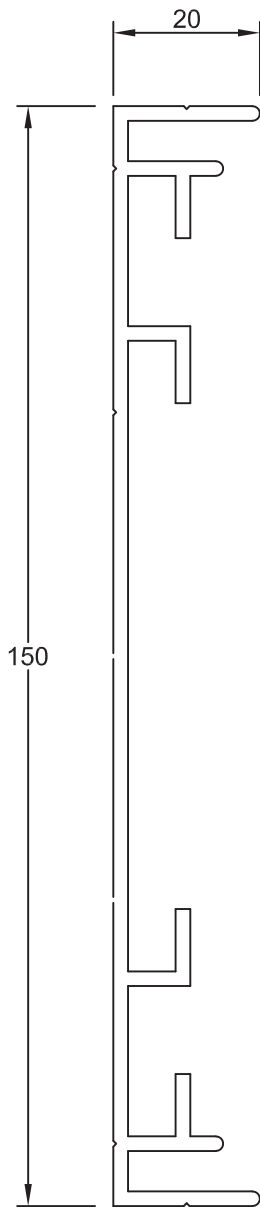
Head Flashings



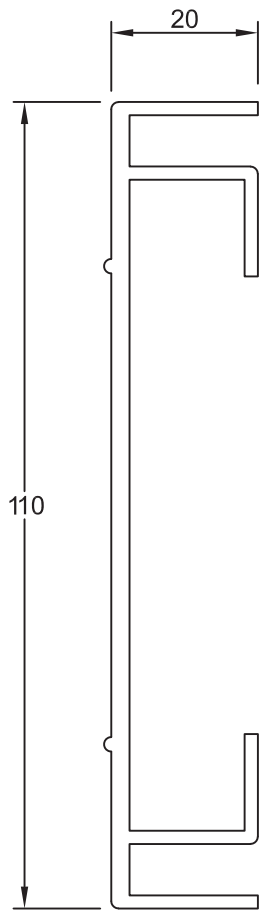
Section No.	XX.00 mm	Mass kg/m	Periphery mm
35361	15	0.298	194.4
35362	20	0.315	205.0
35363	25	0.332	215.1
35364	30	0.348	225.0
35365	35	0.379	235.9
35366	40	0.397	246.0
35300	45	0.429	256.7
35301	50	0.448	267.0
35302	55	0.464	257.5
35484	60	0.484	288.0
35367	65	0.530	290.8
35368	70	0.557	308.0
35369	75	0.578	319.0
36814	80	0.597	329.0
37069	85	0.617	340.0
37070	90	0.637	350.0



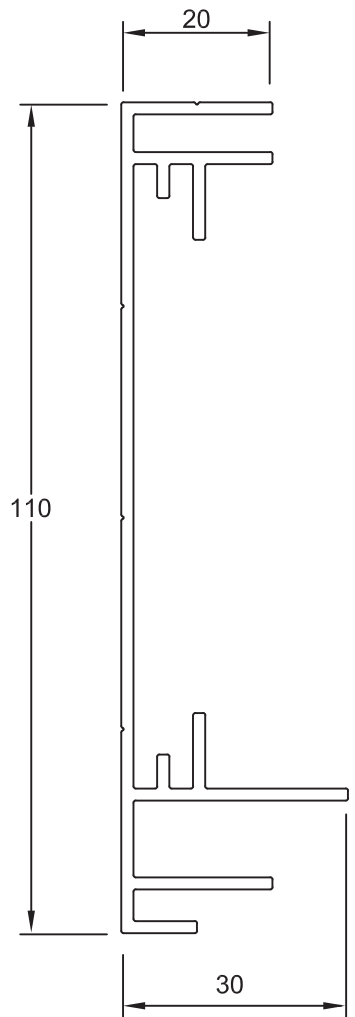
Section No.36166
2.270 kg/m, per 686



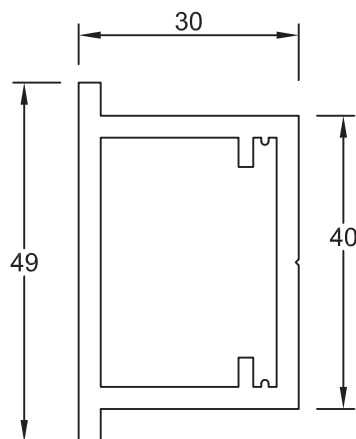
Section No.X540
1.418 kg/m, per 529



Section No.F4638
1.221 kg/m, per 418

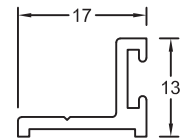
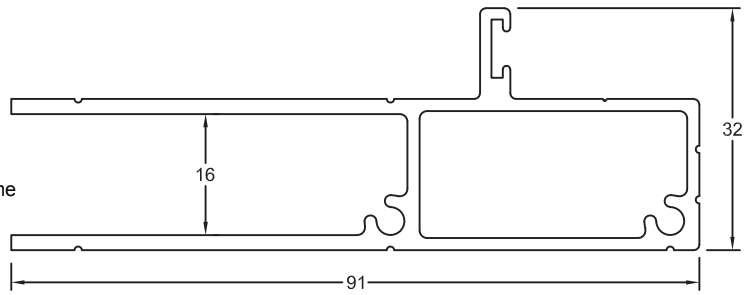


Section No.39417
110mm restricted Sign Box
1.000 kg/m, per 461



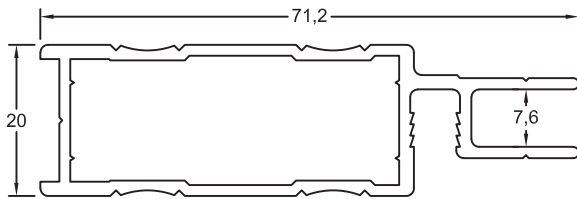
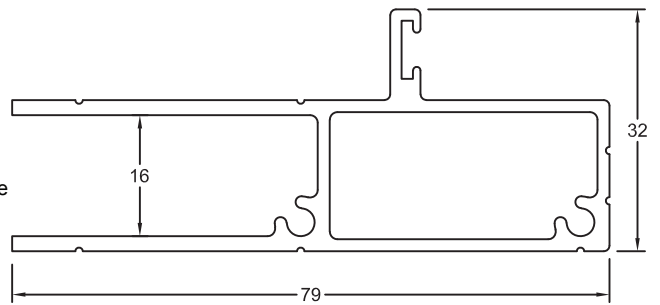
Section No.RB-842
1.170 kg/m, per 158
Cleat Retrofit 5973G can be used with RB-842

Section No.F9758
Wide Standout Door Frame
1.200kg/m, per 370



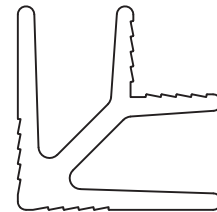
Section No.6136
Door Stop
0.150kg/m, per 72

Section No.J007
Standout Door Frame
1.077kg/m, per 321

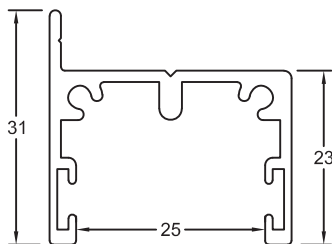


Section No.Z785
Door Frame
0.771kg/m, per 240

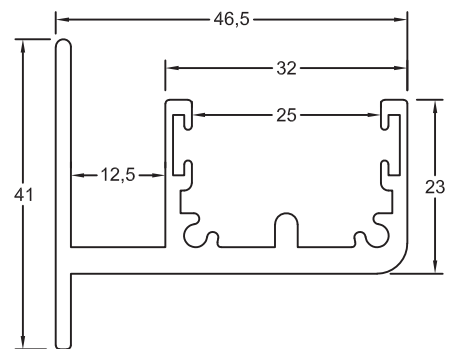
Section No.6868K
Corner Stake
For Z785



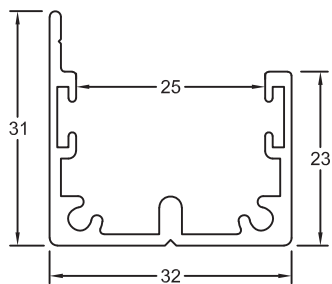
Section No.30971
32mm Sliding Door
Top Track
0.483kg/m, per 218



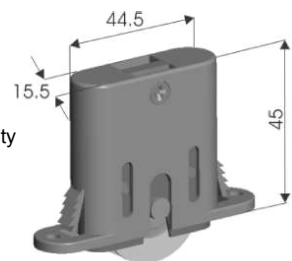
Section No.30972
47mm Sliding Door
Channel
0.936kg/m, per 296

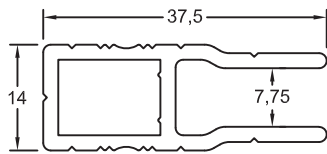


Section No.33629
32mm Sliding Door
Bottom Track
0.483kg/m, per 218

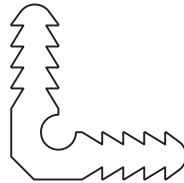


Section No.DR234
SL Spring Loaded Security
Door Carriage
Material Zinc Seal
Standard Roller: RD 35
Max Load: 25kg

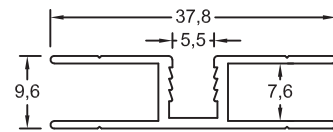




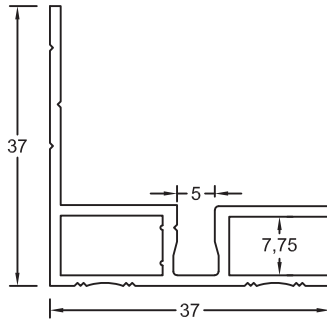
Section No. G253
Heavy Window Frame
0.500kg/m, per 147



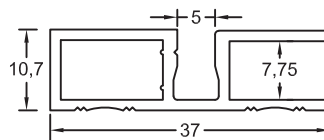
Section No. 6180
Corner Stake
For G253



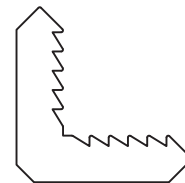
Section No. 6488
Joints with Groove
0.260kg/m, per 172



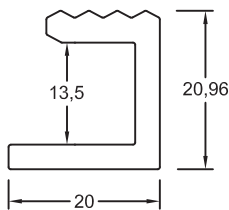
Section No. 6179
Window Frame with Leg
0.454kg/m, per 198



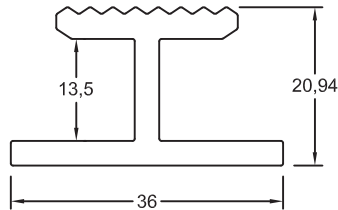
Section No. 5663
Window Frame
0.355kg/m, per 144



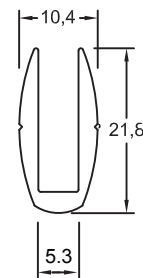
Section No. X124
Corner Stake
For 6179 & 5663



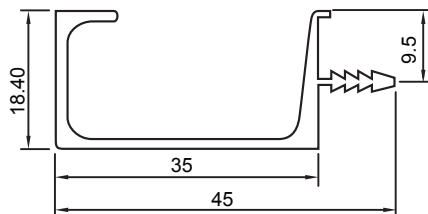
Section No. YLJ07669
13mm Walkway Mesh Edeg Cap
0.445kg/m, per 104



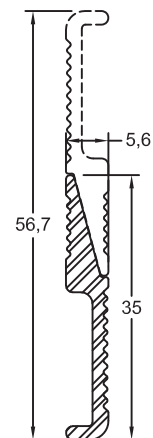
Section No. YLJ07668
13mm Walkway Mesh H Joints
0.673kg/m, per 155



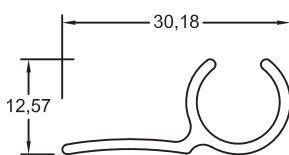
Section No. YLJ02519
Perspex Cap
0.250kg/m, per 94



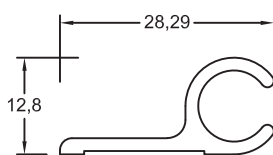
Section KD482
Drawer Pull
0.364kg/m, per 175



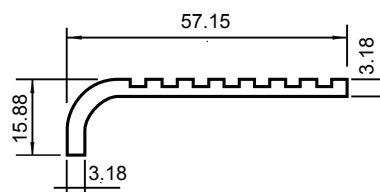
Section No. RB-706
Split Rail / French Cleat
0.234kg/m, per 88



Section No. YLJ02552
11mm Awning
0.193kg/m, per 102

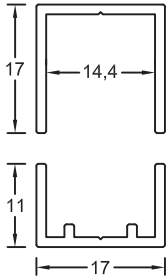


Section No. 6595
9mm Awning
0.237kg/m, per 96



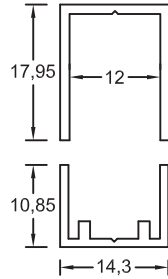
Section No. 0360
57mm Stair Nosing
0.504 kg/m, per 154

Section No.31017
Deep Top Channel
0.170kg/m, per 99

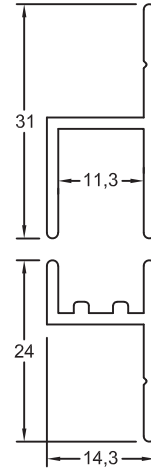


Section No.31018
Deep Bottom Channel
0.139kg/m, per 81

Section No.X075
Top Channel
0.162kg/m, per 99

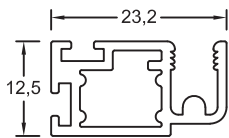


Section No.X076
Bottom Channel
0.119kg/m, per 79

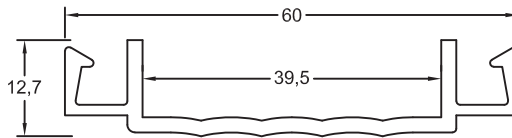


Section No.J032
Top Channel with Leg
0.234kg/m, per 118

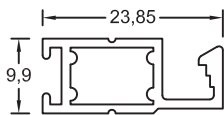
Section No.J031
Bottom Channel with Leg
0.191kg/m, per 94



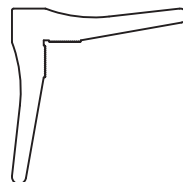
Section No.30957
Deep Pile Window Frame
0.302kg/m, per 118



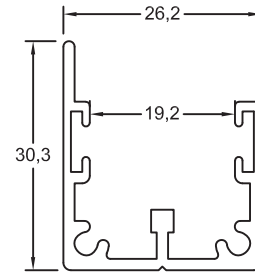
Section No.J030
Narrow Push Rail
0.496kg/m, per 199



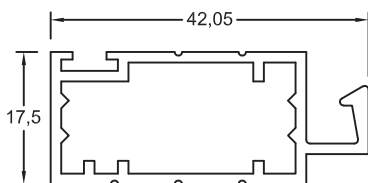
Section No.J058
Window Frame
0.232kg/m, per 95



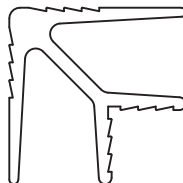
Section No.X429
Corner Stake for J058



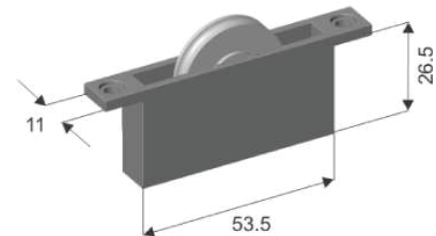
Section No.30973
26mm Sliding Door Track
0.421kg/m, per 210



Section No.9775
Door Frame
0.494kg/m, per 260



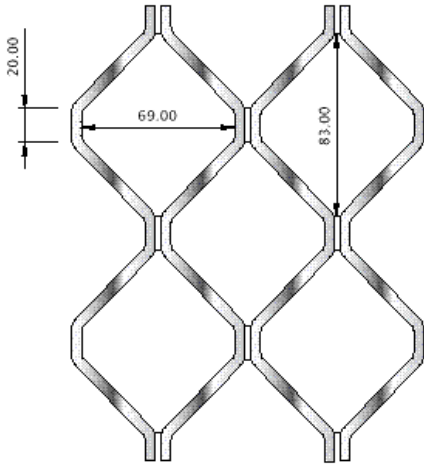
Section No.J688
Corner Stake for 9775



Section No.DR224
Flydoor Carriage
Material: Engineered Plastic
Standard Roller: DR25
Max Load: 15kg



007 Standard Grilles — 69 x 83 diamond



Size	Finish
750 x 2000 mm	Mill finish Powdercoated
920 x 2000 mm	Mill finish Powdercoated
1250 x 2000 mm	Mill finish Powdercoated
750 x 4000 mm	Mill finish Powdercoated
920 x 4000 mm	Mill finish Powdercoated



Flyscreen Mesh

Fibreglass Mesh

	Size
30 metre rolls	812mm
	914mm
	1226mm
	1830mm

Security Door Hardware

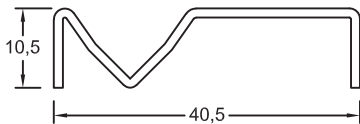
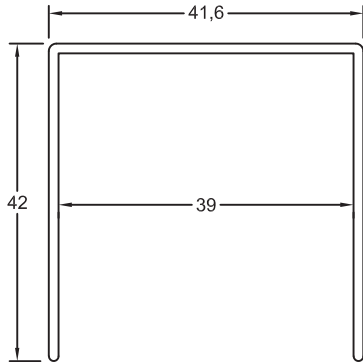
	Colour	Section No
A. Tasman MK111 Body, Box of 10	White	LW801215
	Silver	LW801211
	Black	LW801217
B. Keyed Alike, 10 Pairs/pack 5 Pin Cylinder		LW842500
C. Tasman MK111 Multi Point Lock Accessory Kit		LW803117
D. Security Door Hinges 75mm	White	LW831416
	Black	LW831417
E. Flyscreen Hinges 38mm	Black/White	5000/38mm
F. Security Window Hinges 65mm	Black/White	5000/65mm
G. Leichardt Sliding Security Door Locks	Black	LW869017

Security Window Hardware

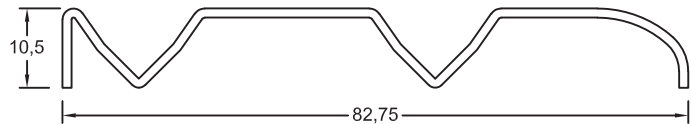
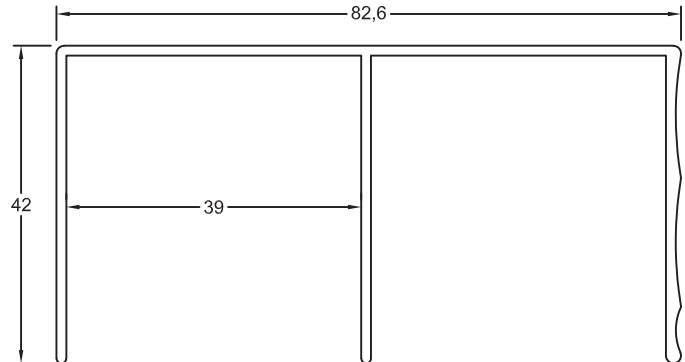
	Colour	Section No
A. Patio Bolts		
Keyed Alike (Inner 8, Outer 40)	Black	LW206317
B. Window Locks		
1. Security Bolts		
Keyed Alike (Inner 8, Outer 60)	Black	LW203317
2. Multi Bolts		
Keyed Alike (Inner 8, Outer 40)	Black	MC85C4 Blk
Lockable Door Bolt (5disc)	Black	DS283

* Please note that this is a small selection of the Lockwood Whitco range available. As distributors we have access to the full range. Other products subject to inquiry. All products subject to availability at time of order

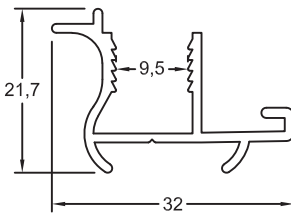
Section No.9250
41mm Single Head Top Guide
0.431kg/m, per 247



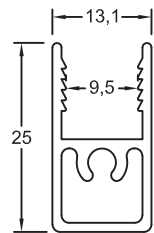
Section No.N924
82mm Double Head Top Guide
0.745kg/m, per 410



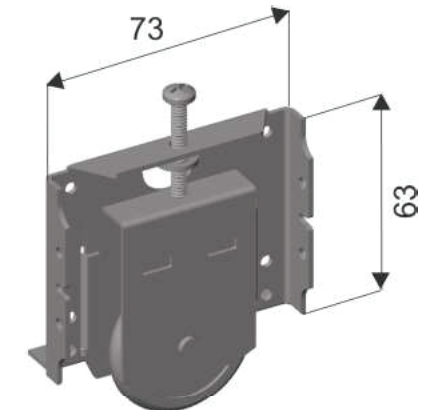
Section No.9251
41mm Single Head Bottom Track
0.217kg/m, per 136



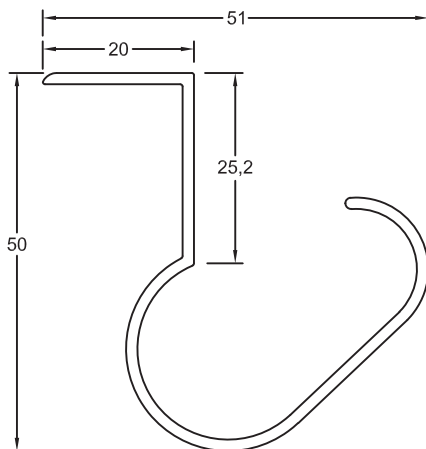
Section No.Z447
32mm Grip Stile
0.282kg/m, per 165



Section No.Z439
11mm Rail Frame
0.285kg/m, per 160



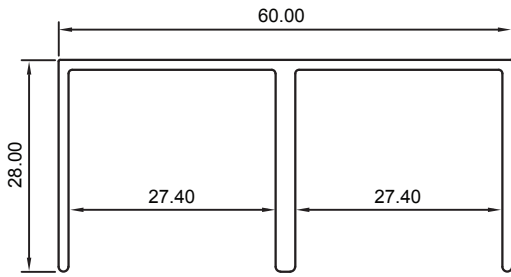
Section No.DR140
Adjustble Wardrobe Carriage
Material: Zinc Seal
Standard Roller: DR35
Max Load: 25kg



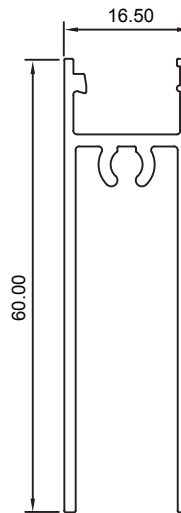
Section No.5589
Closet Rail
0.525kg/m, per 260

Components

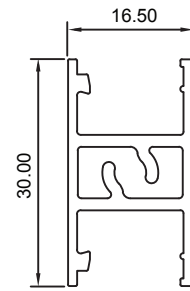
- WH/D02/45 - White Infil Bufur Bumper
- DS 509 - Left/Right Hand Plastic Guides
- DR 140 - Door Roller
- H/D08/WSL 800 Series - Double Ends Caps Off White



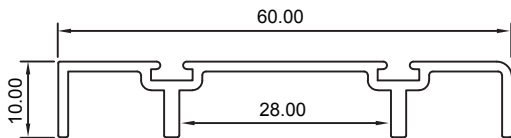
Section No. 33953
Double Top Track
0.587kg/m, per 280



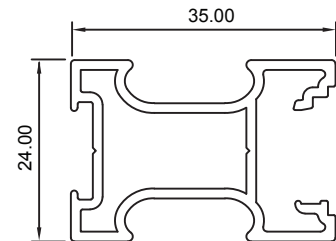
Section No. 33959
Bottom Rail
0.592kg/m, per 292



Section No. 33958
Top Rail
0.391kg/m, per 140



Section No. 33956
Bottom Track
0.382kg/m, per 206



Section No. 33960
Stile
0.516kg/m, per 199

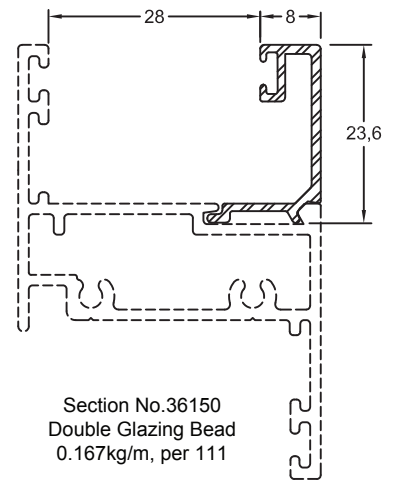
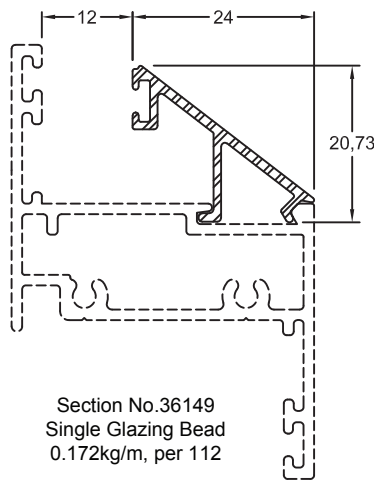
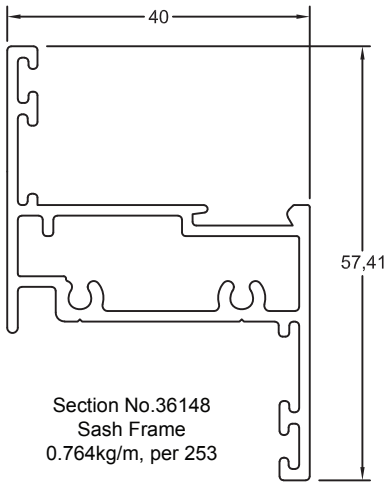
Hardware

- 662000 Bumper, Mohair 12.7 x 3mm
- 662002/3 Bumper, Plastic 16mm, White/Off white
- 662125 Bumper, Plastic 16mm, Black
- 662010 Bumper, Plastic 16mm, Grey
- 662004 Rubber, Wedge (40430) for 9mm Meltica
- 662005 Rubber, Wedge (4394) for 4mm Mirror
- 662006 Top Roller
- 662007 Bottom Roller
- 662008 Rubber, Wedge 9mm Meltica Clear
- 662011 Top Roller Locator
- 662012 Rubber Bumper



Stocked Sections

Coolroom Glazing Sections



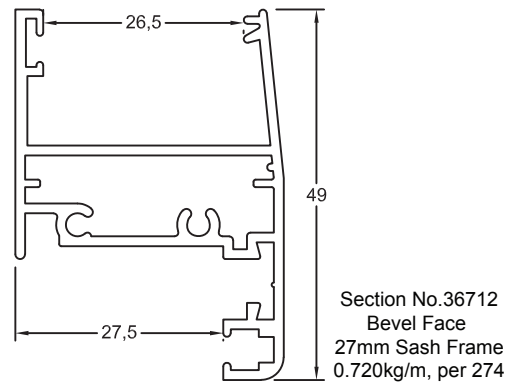
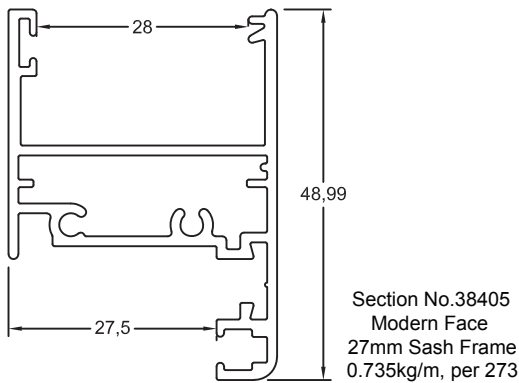
SG116 (11.6mm Sash Gussets) can be used with 36148.



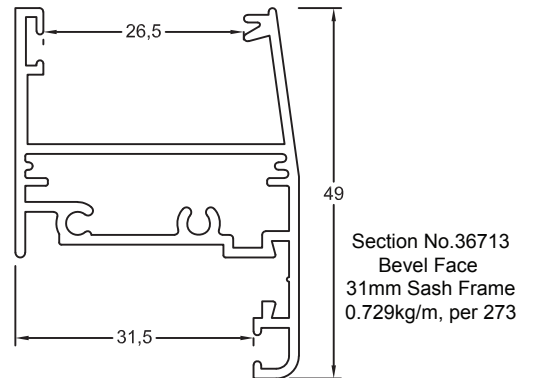
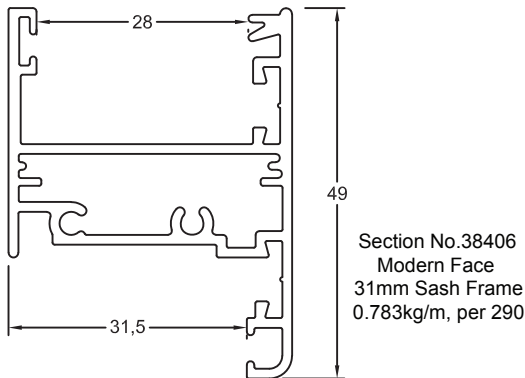
Stocked Sections

Retrofit Sash Frame

27mm Sash



31mm Sash

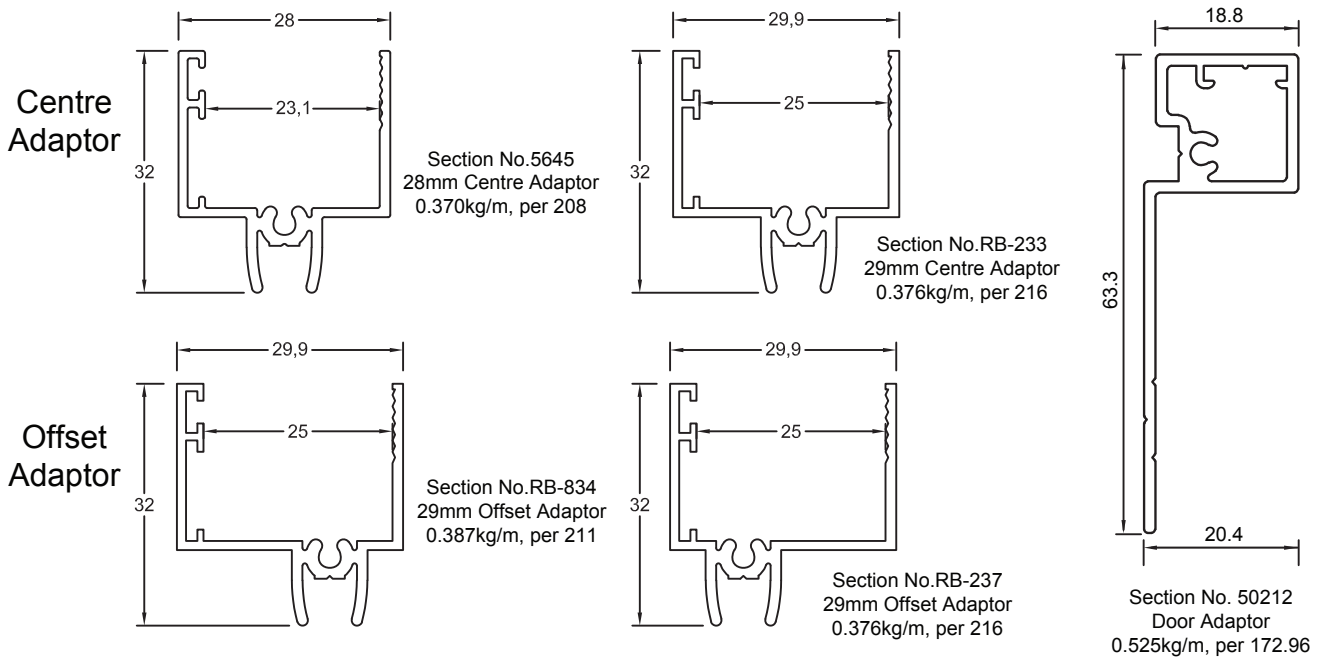


K024DL (9.5mm Sash Gussets) can be used with above sections



Stocked Sections

Adaptors

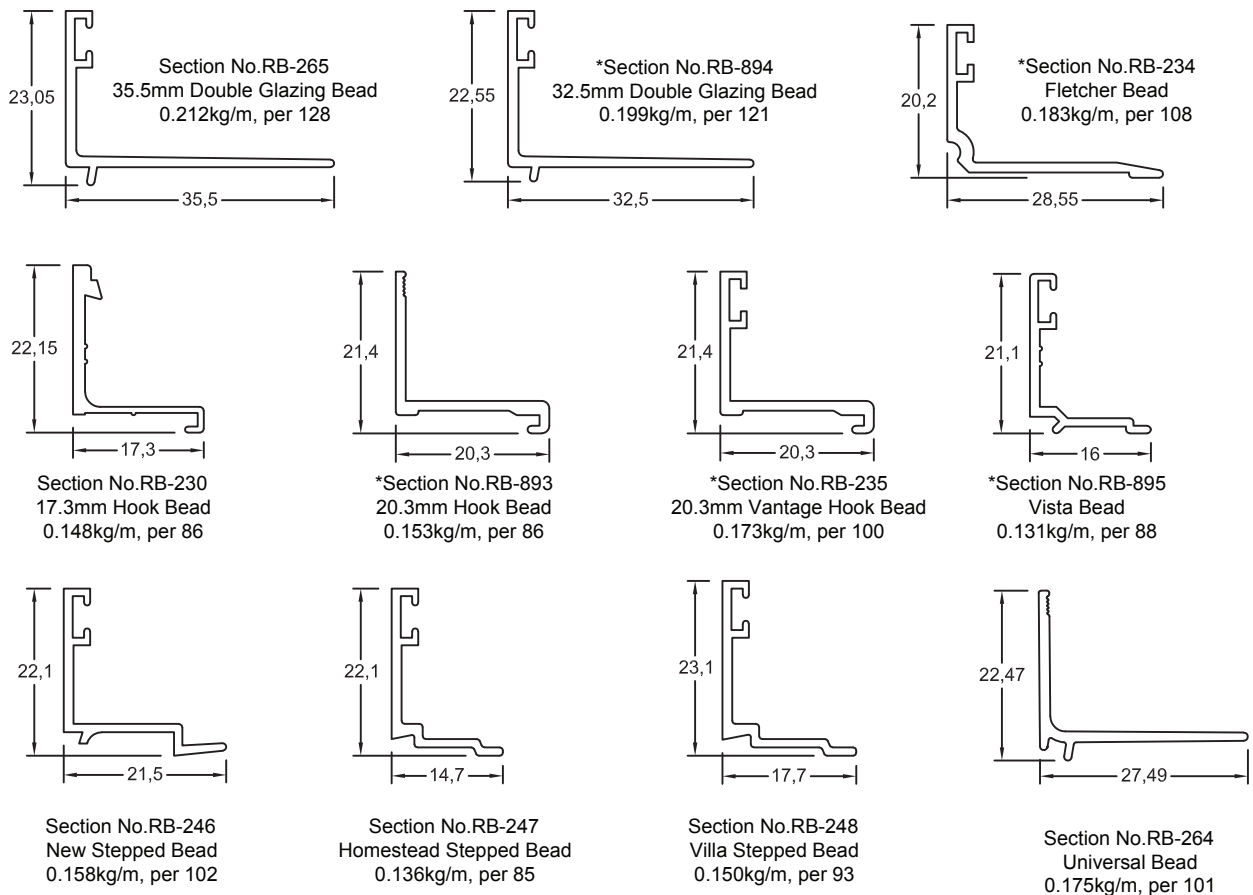


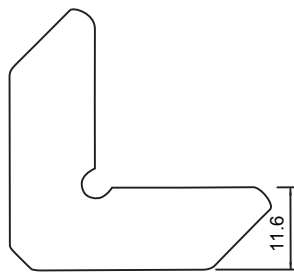
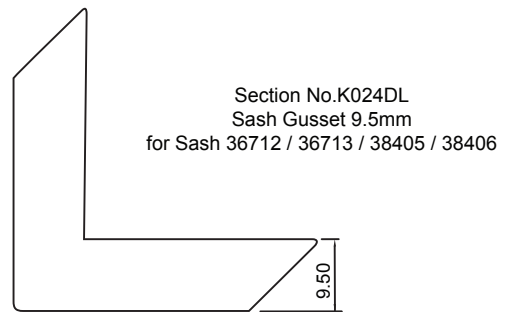
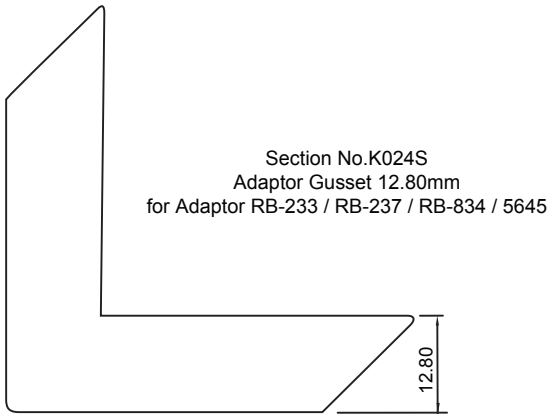
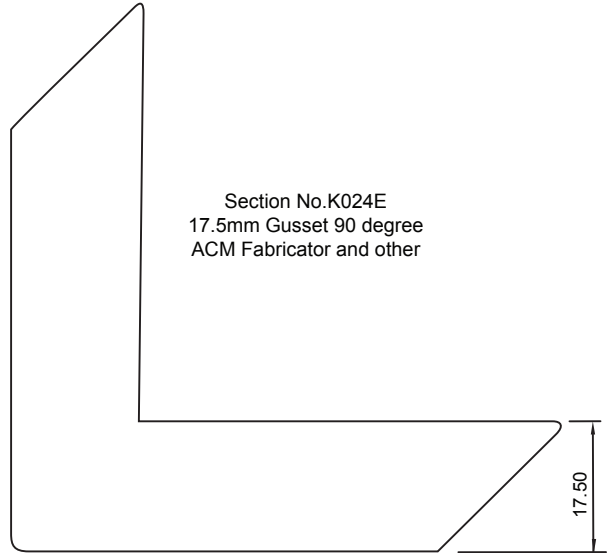
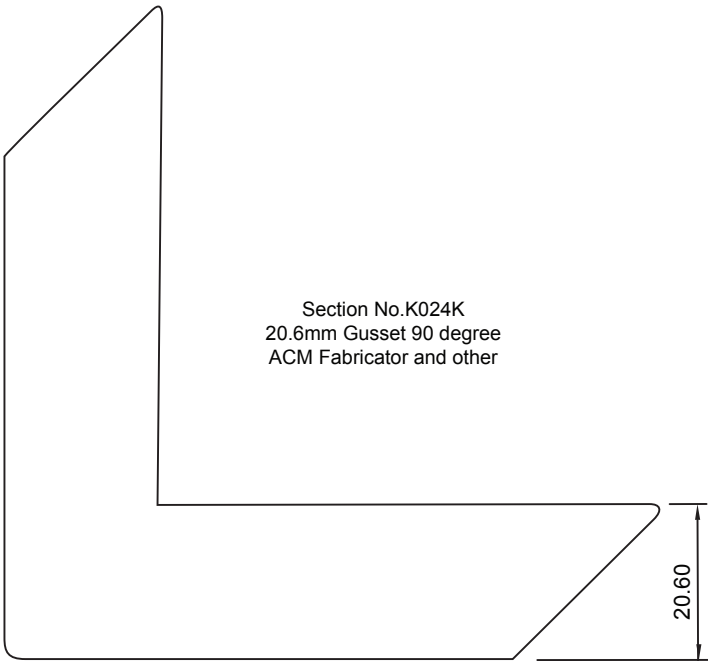
K024S (12.8mm Adaptor Gaskets) can be used with above sections



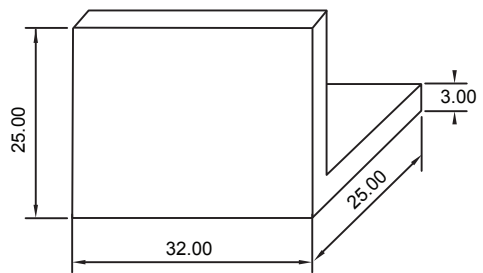
Stocked Sections

Glazing Beads

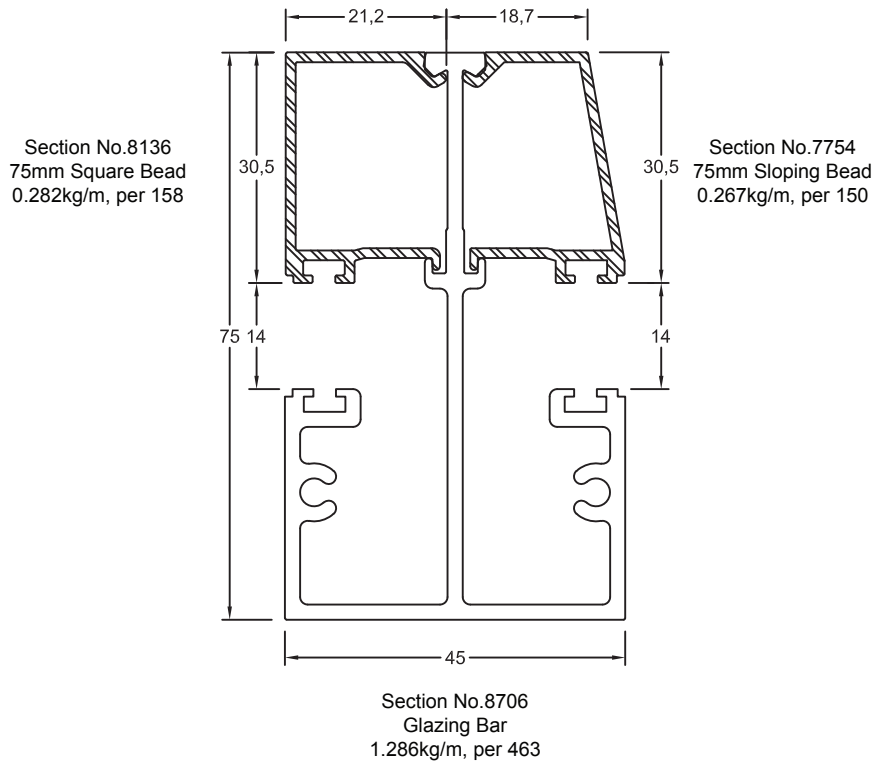
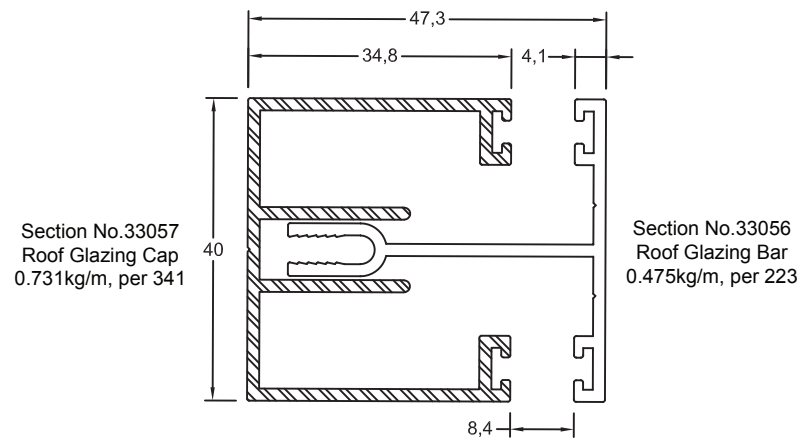
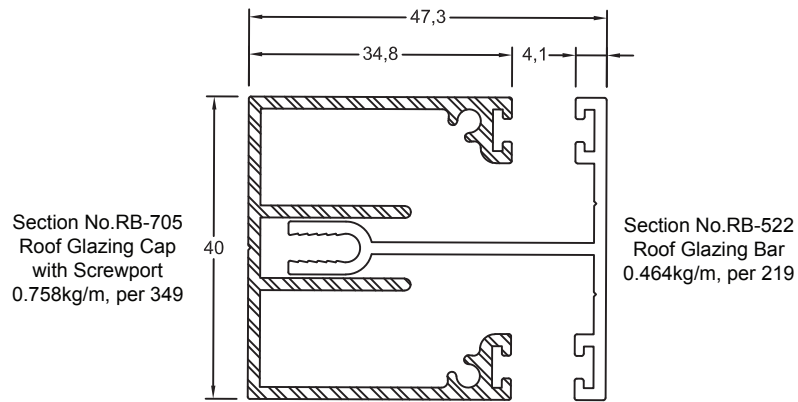


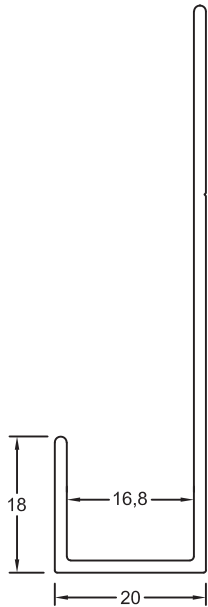


Section No.SG116
11.6 x 1mm Stainless Gusset
fit 36148

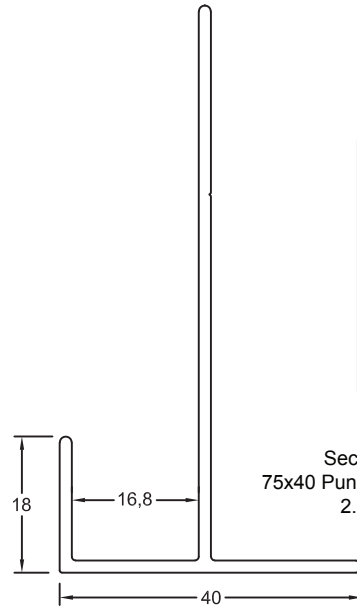
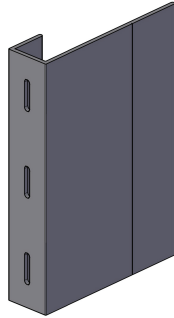


Section No. Cleat Retrofit
32mm Retrofit corner Cleat
fit 34261 / 34262 / 38405 / 38406

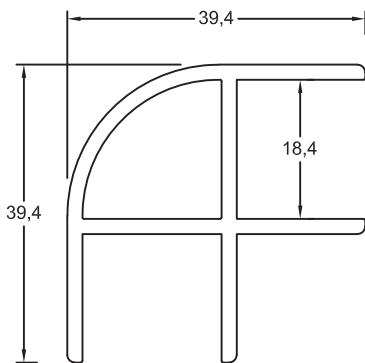
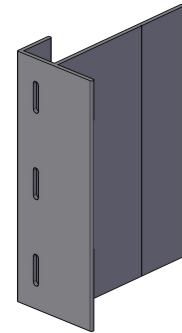




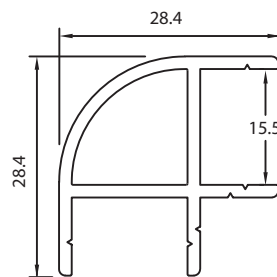
Section No.YLJ06883
75x20 Punched Standard Vent Seal
2.38kg/ln, per 221



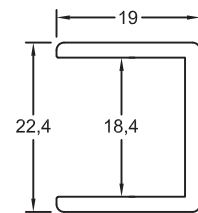
Section No.YLJ06884
75x40 Punched Standard Vent Seal
2.78kg/ln, per 260



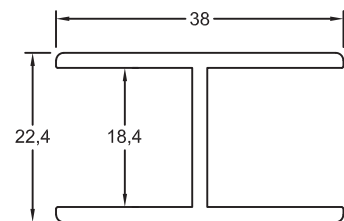
Section No.30505
Radius Corner Joints
0.764kg/m, per 281



Section No. RB-984
15.5mm ID Corner Joints, 17mm Rad
0.388kg/m, per 143.97



Section No.30504
Radius Cap
0.303kg/m, per 115



Section No.30503
Radius H-Corner Joints
0.509kg/m, per 191